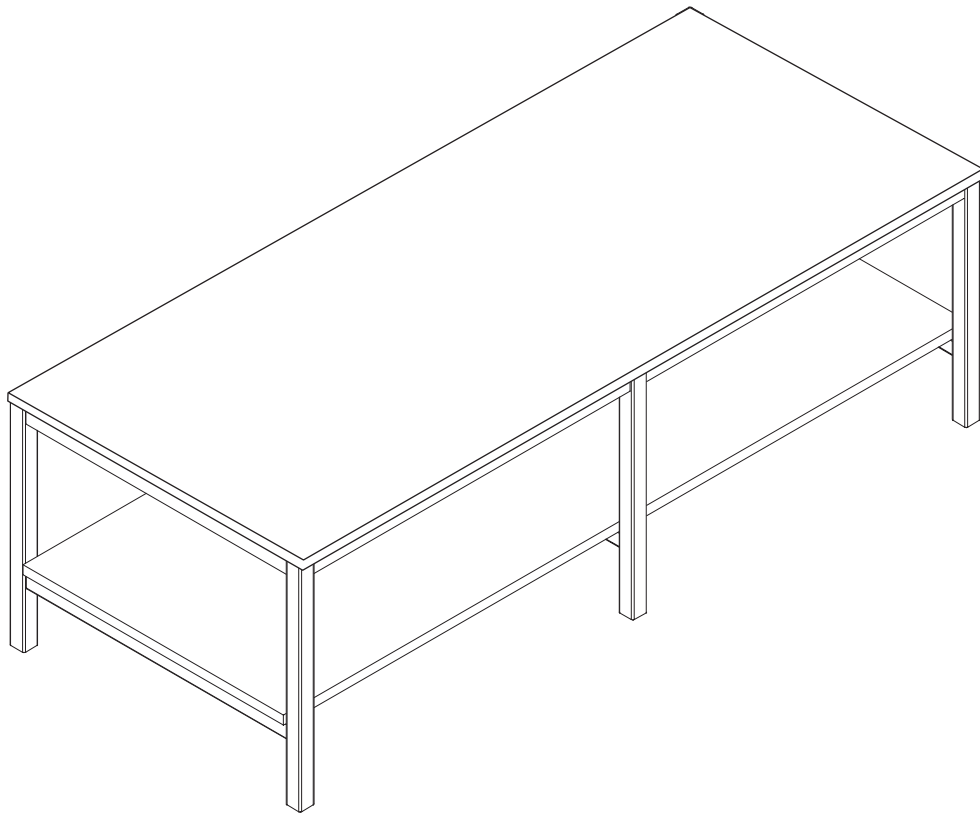


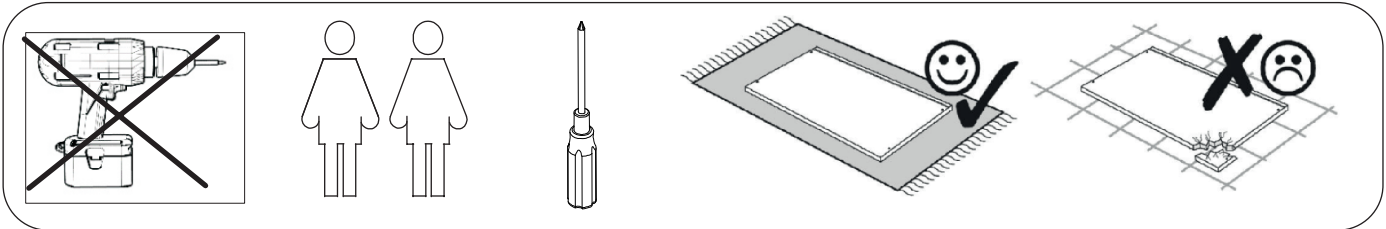
ASSEMBLY INSTRUCTION

ORWEL COFFEE TABLE  
140x60x45

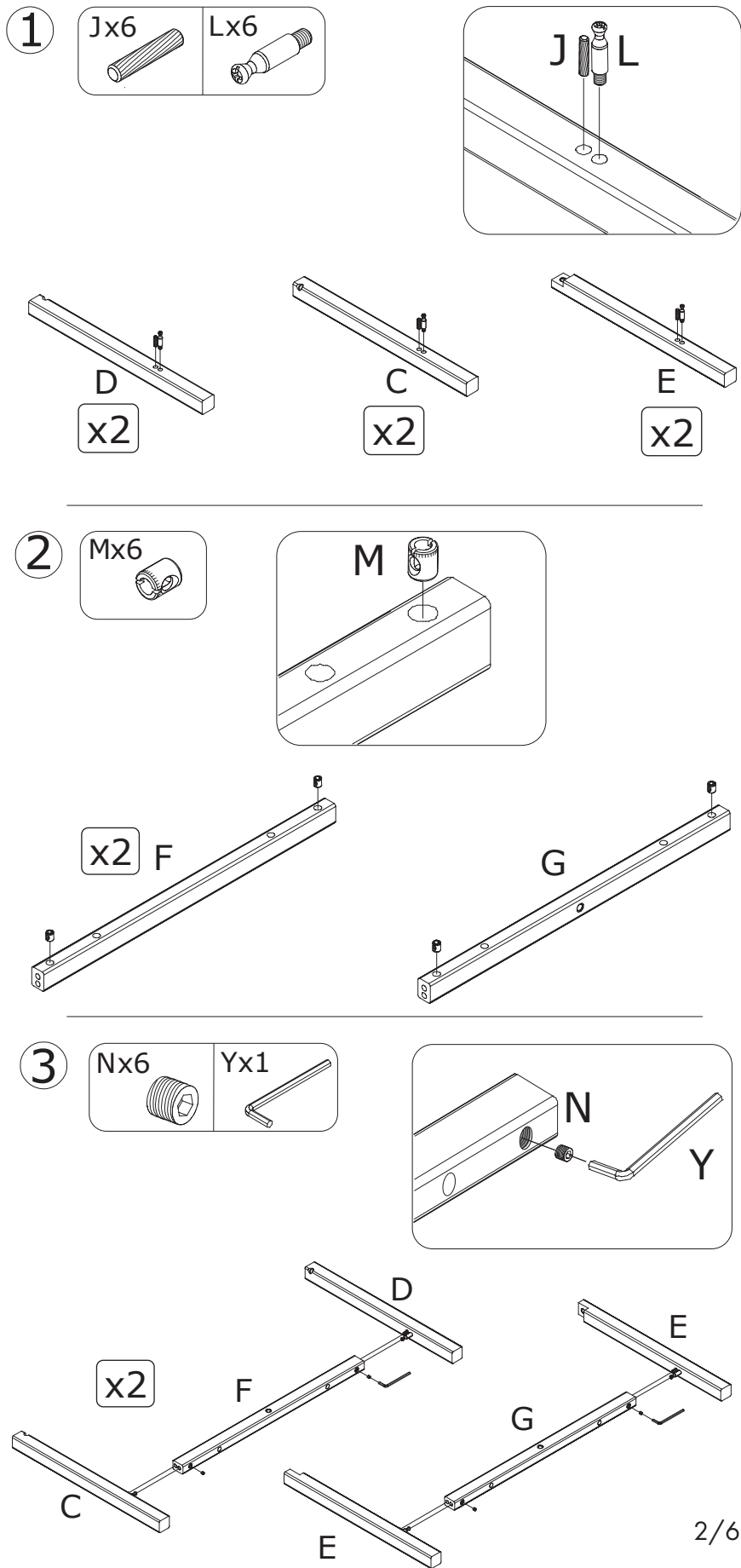


**ROWICO**

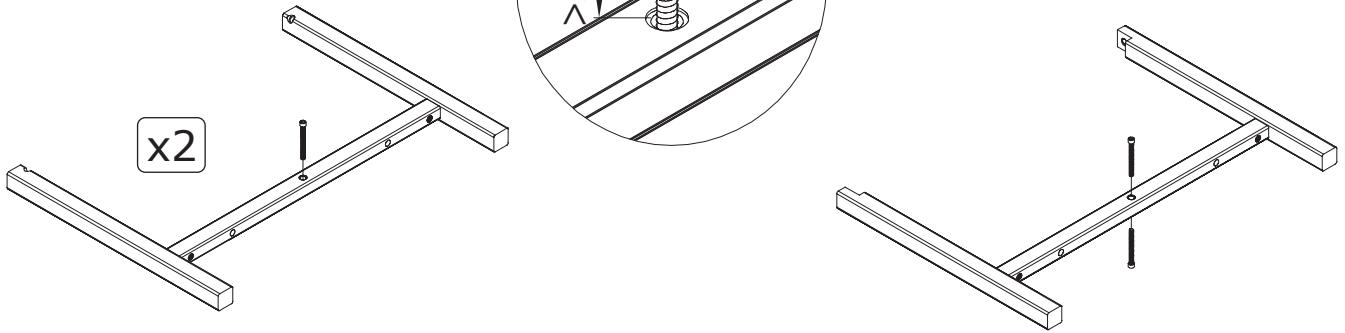
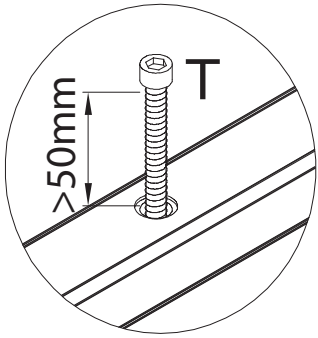
HOME



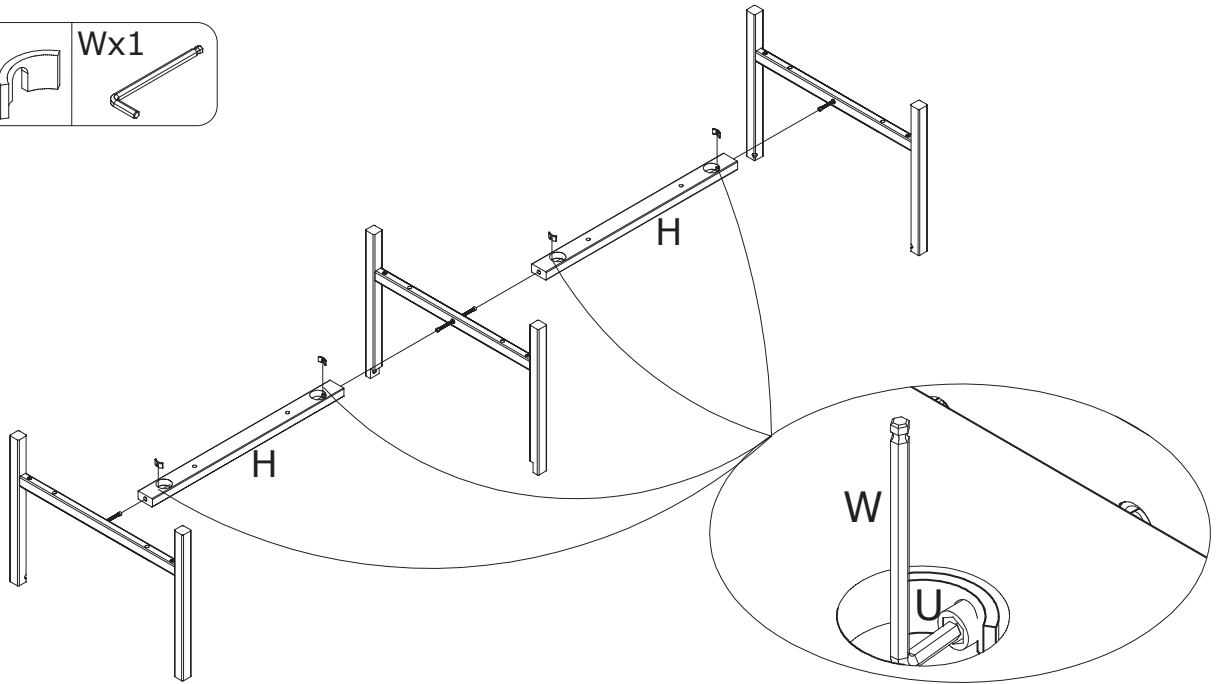
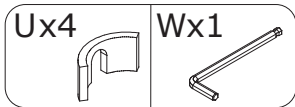
<b>Ax1</b> 	<b>Lx6</b>  Ø6X35mm
<b>Bx1</b> 	<b>Mx6</b>  Ø10X14mm
<b>Cx2</b> 	<b>Nx6</b>  Ø6X7mm
<b>Dx2</b> 	<b>Px4</b>  M6X75mm
<b>Ex2</b> 	<b>Qx2</b>  M6X28mm
<b>Fx2</b> 	<b>Rx6</b>  Ø6
<b>Gx1</b> 	<b>Sx6</b>  Ø6X16mm
<b>Hx2</b> 	<b>Tx4</b>  M6X60mm
<b>Jx8</b>  Ø8X20mm	<b>Ux4</b>  Ø40mm
<b>Kx10</b>  Ø4X31mm	<b>Vx6</b>  Ø20mm
<b>Lx6</b>  Ø6X35mm	<b>Wx1</b>  M4X70X25mm
<b>Mx6</b>  Ø10X14mm	<b>Yx1</b>  M3X57X21mm



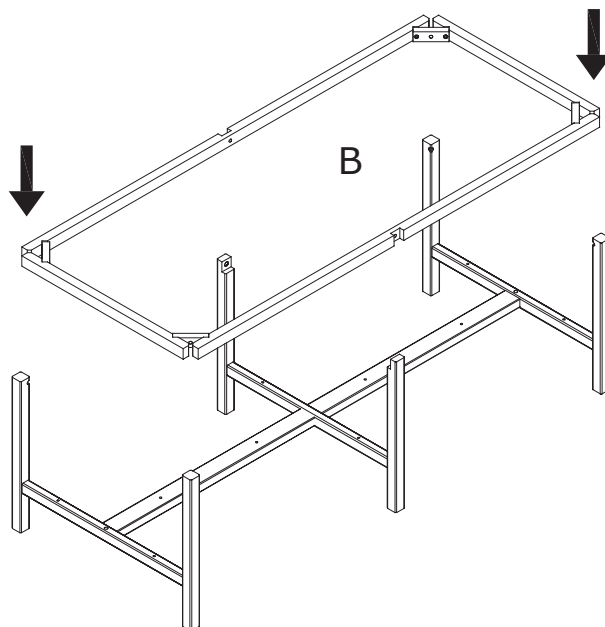
4



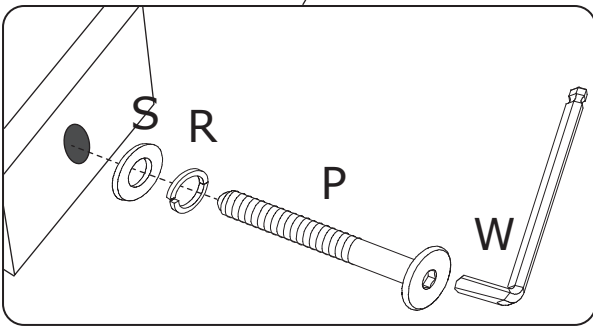
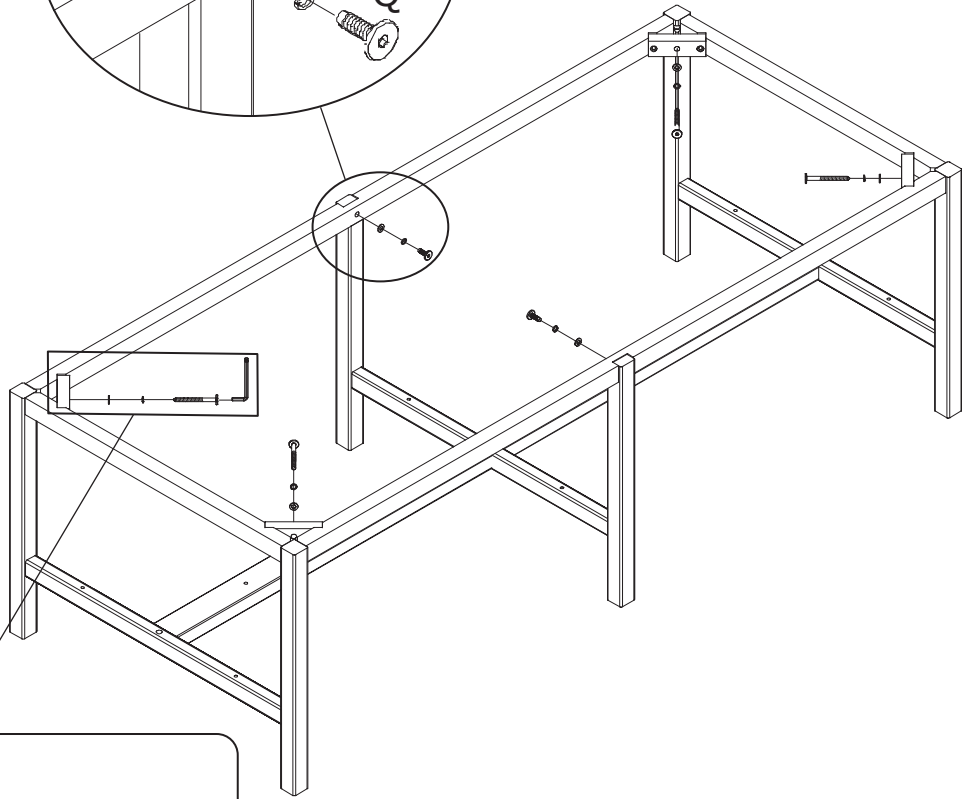
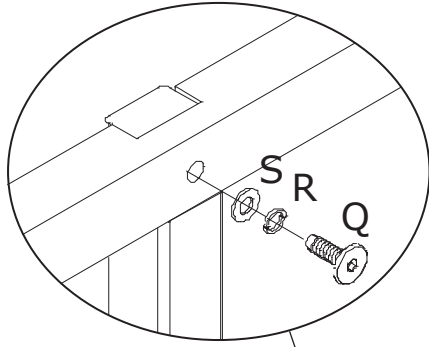
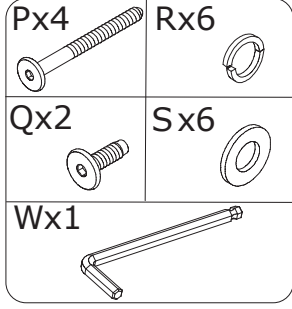
5



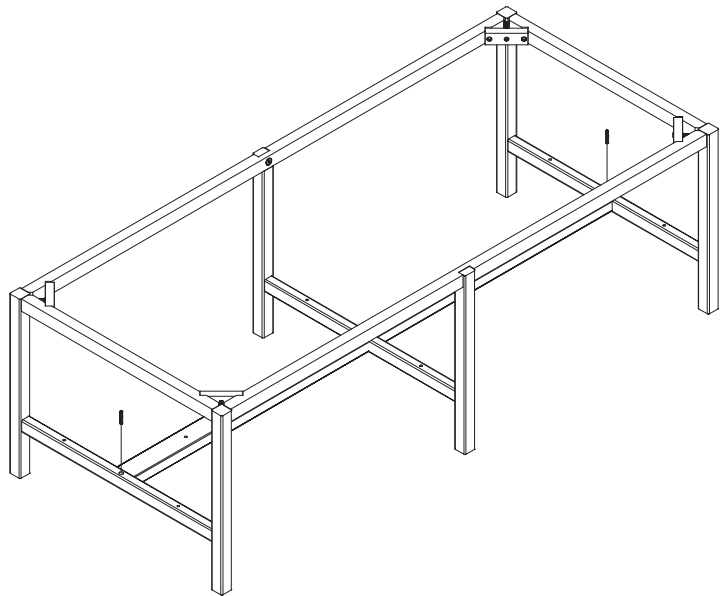
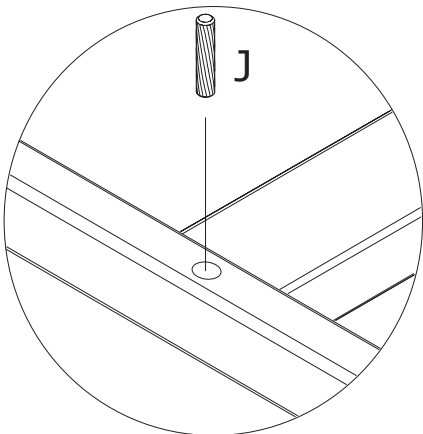
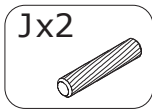
6



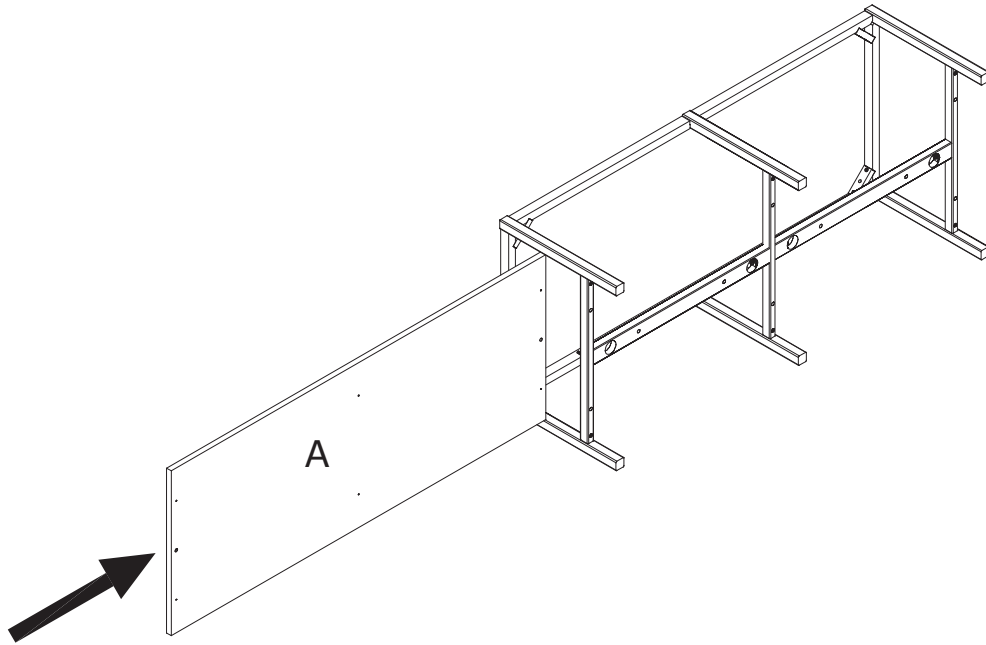
7



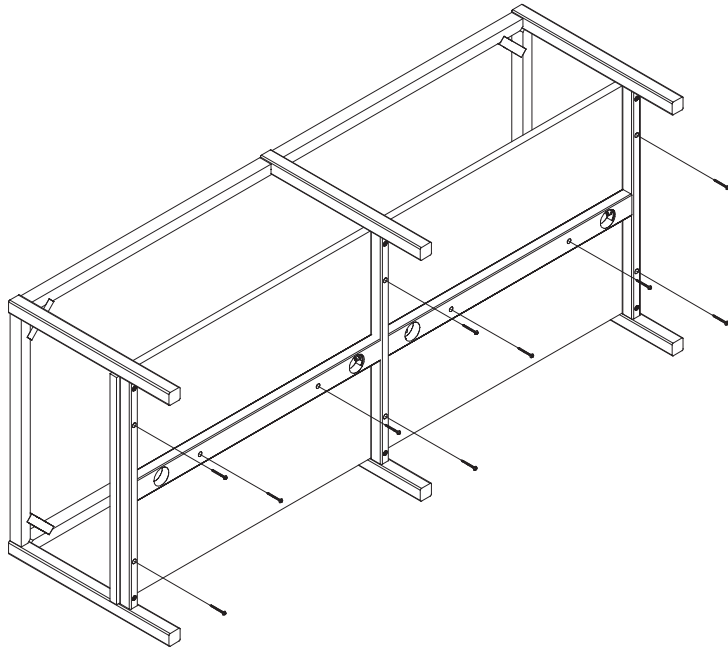
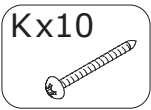
8



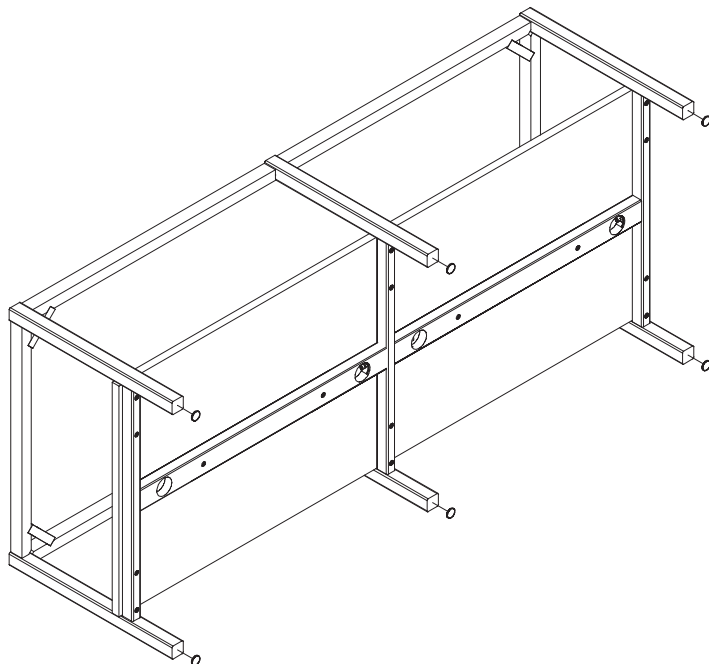
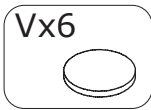
9



10



11





Ställ långsidan på stenskivan mot ramen på benställningen.  
Vik sedan försiktigt ner skivan till korrekt position.

Place the long side of the travertine top on the leg stand frame.  
Carefully fold the top into the correct position.

12

