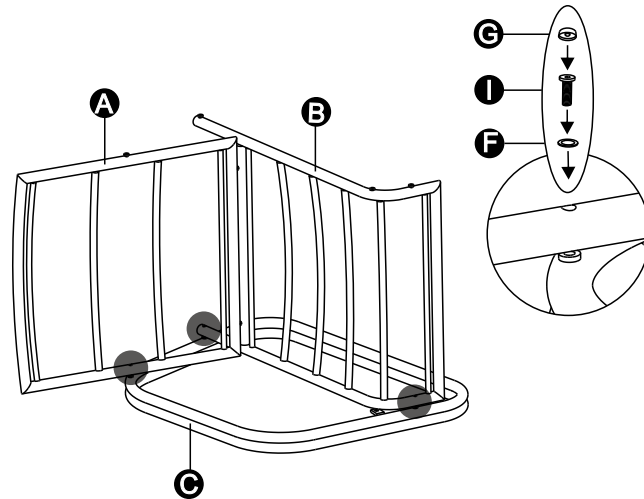


GLA-62935-221KD  
Part List:

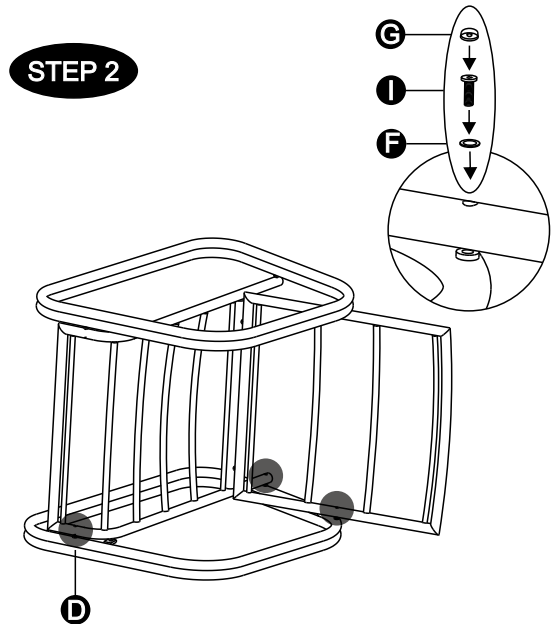
NO.	Picture	Name	Qty
A		Back	1
B		Seat	1
C		Armrest (Left)	1
D		Armrest (Right)	1
E		Wrench	1
F		Steel Washer	10
G		PVC Bolt Cover	10
H		M6X20MM Bolt	2
I		M6X45MM Bolt	8
J		Back Cushion	1
K		Seat Cushion	1

# Assemble instruction

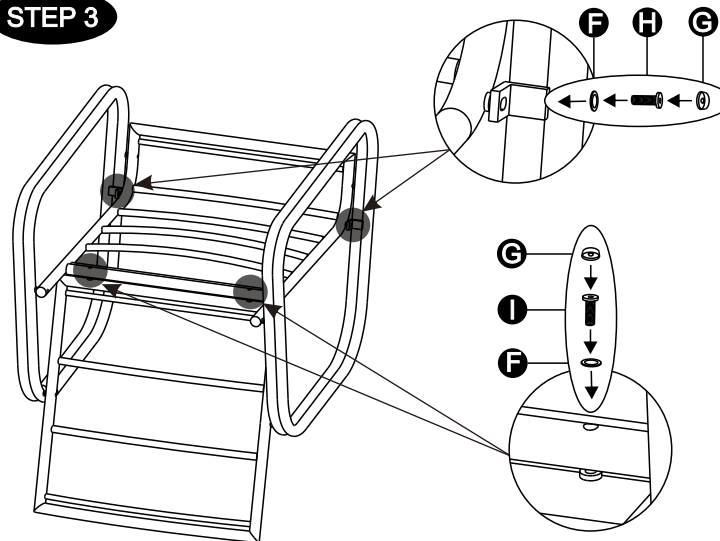
## STEP 1



## STEP 2



## STEP 3



## STEP 4

