










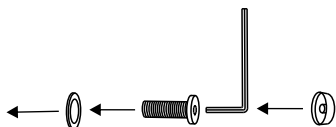


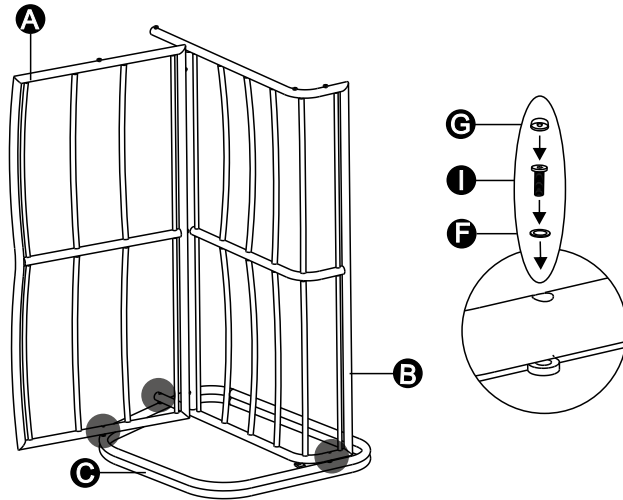
GLA-62935-222KD
Part List:

NO.	Picture	Name	Qty
A		Back	1
B		Seat	1
C		Armrest (Left)	1
D		Armrest (Right)	1
E		Wrench	1
F		Steel Washer	11
G		PVC Bolt Cover	11
H		M6X20MM Bolt	2
I		M6X45MM Bolt	9
J		Back Cushion	2
K		Seat Cushion	2

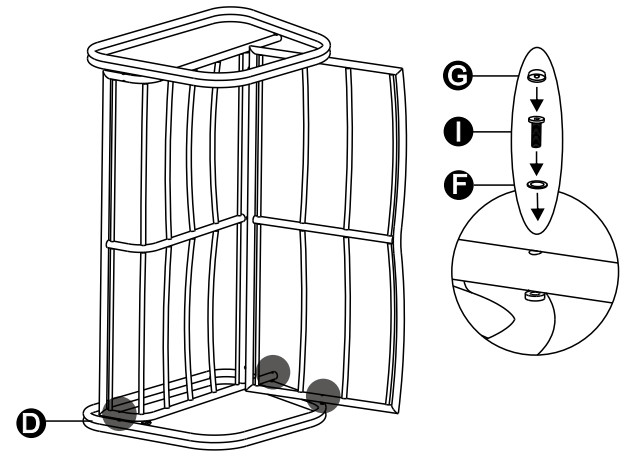


Assemble instruction

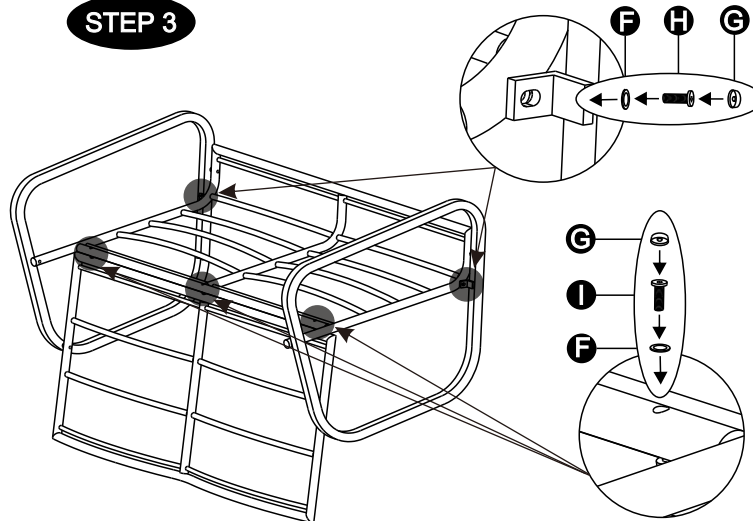
STEP 1



STEP 2



STEP 3



STEP 4

