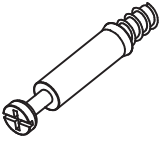
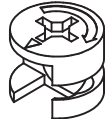
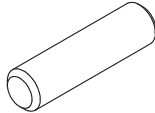
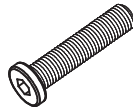

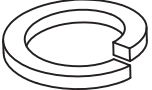
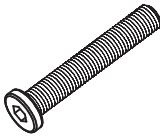
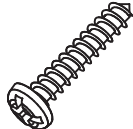
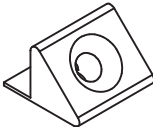
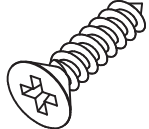

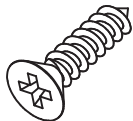

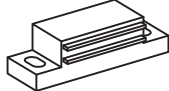



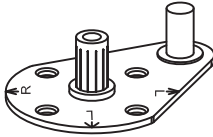
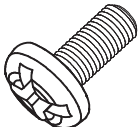
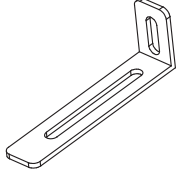
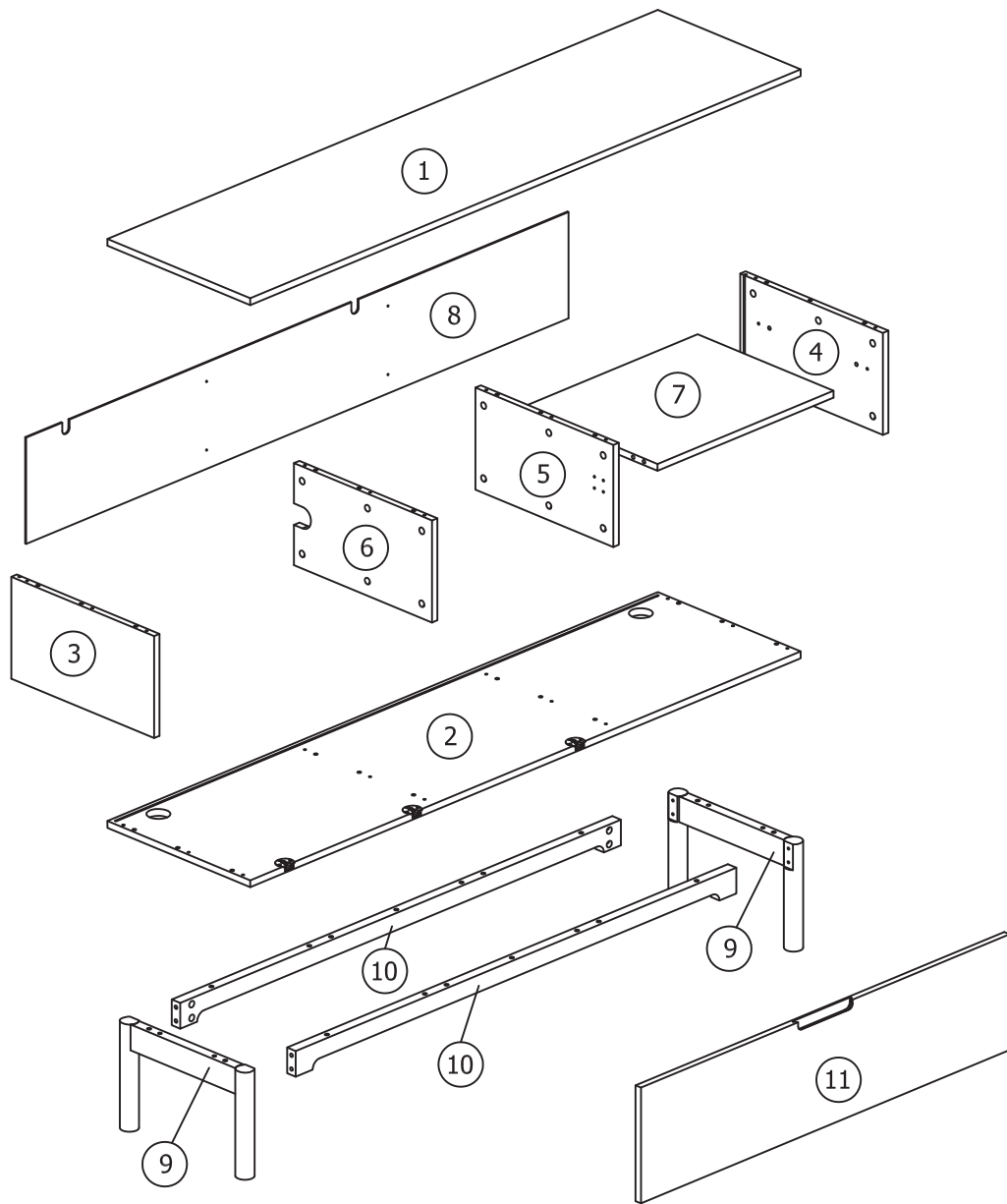
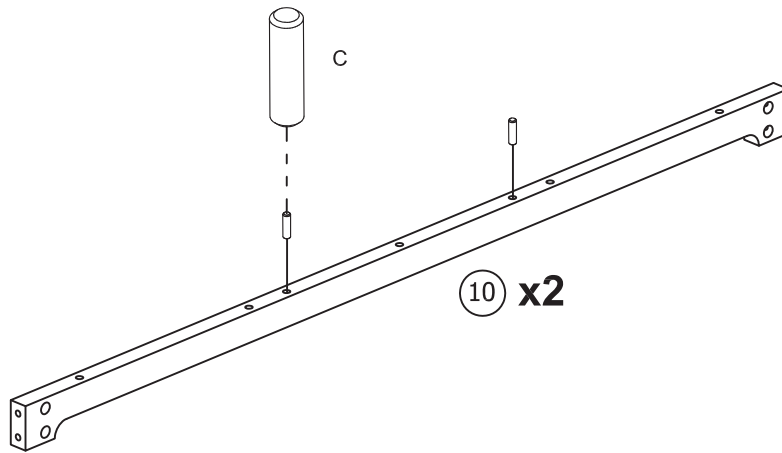
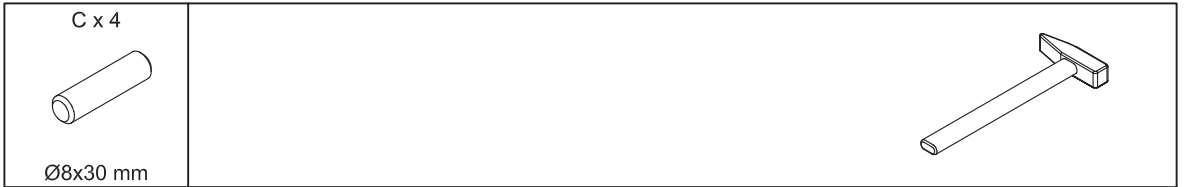


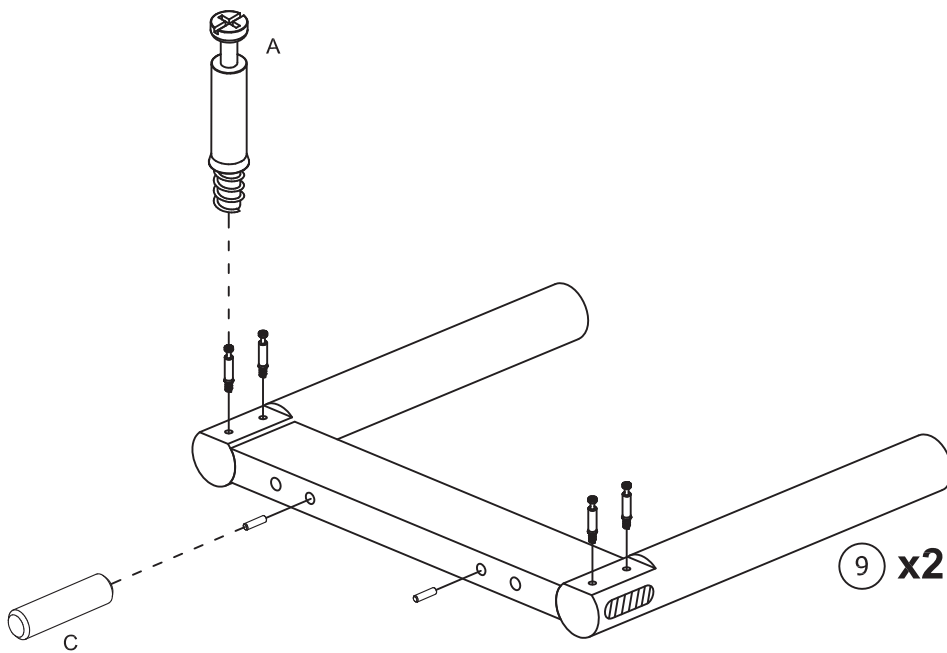
A × 36  Ø6×43 mm	B × 36  Ø15×12 mm	C × 36  Ø8×30 mm	D × 10  M6×45 mm	E × 14  Ø6/Ø16 mm
F × 14  Ø6 mm	G × 4  M6×65 mm	H × 8  Ø3.5×16 mm	J × 10  15×15 mm	K × 24  Ø3.5×16 mm
L × 4  Ø35×3 mm	M × 2  Ø3×12 mm	N × 2  Ø10 mm	P × 1  45×12 mm	Q × 1  44×12×1 mm
R × 1  4 mm	S × 2  225×55×15 mm	T × 2  54×38×16 mm	U × 2  Ø4×10 mm	V × 2  75×25×15 mm



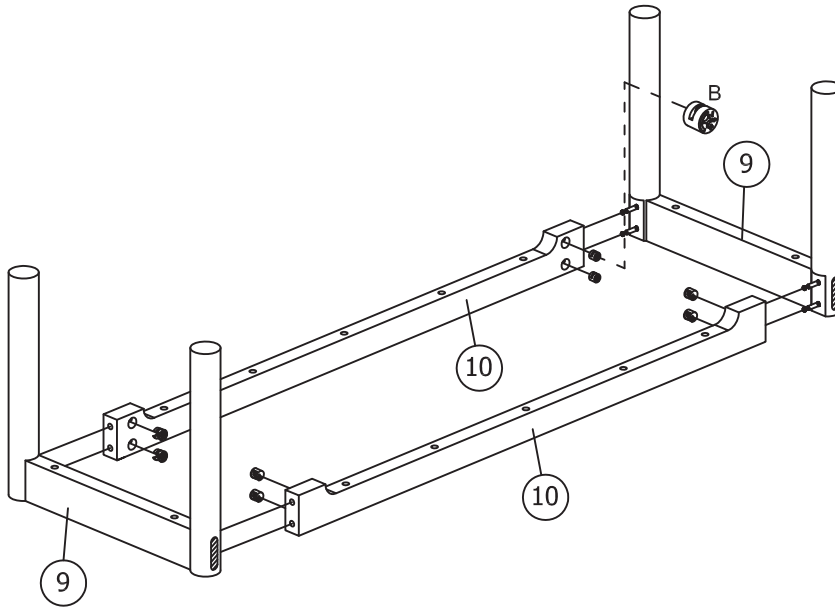
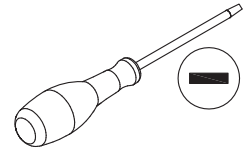
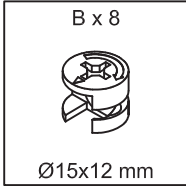
1



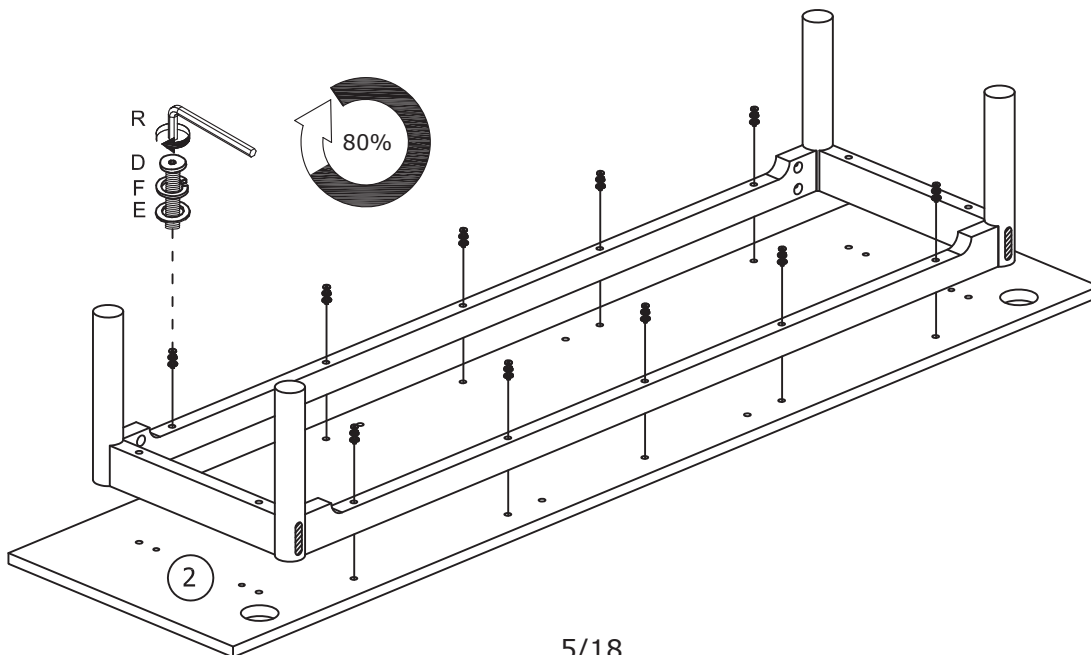
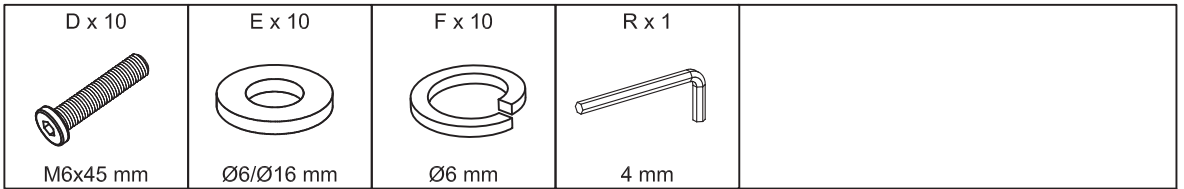
2








3

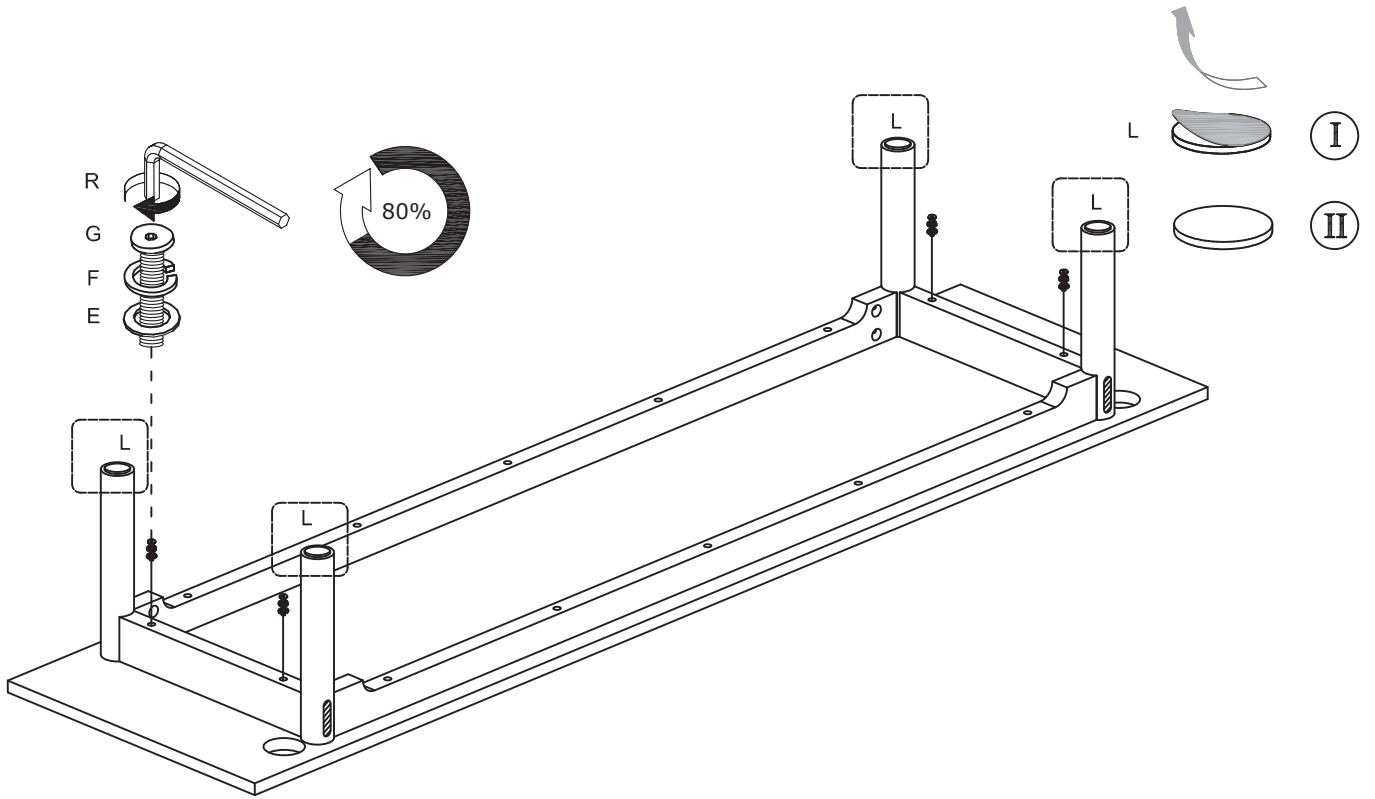


4



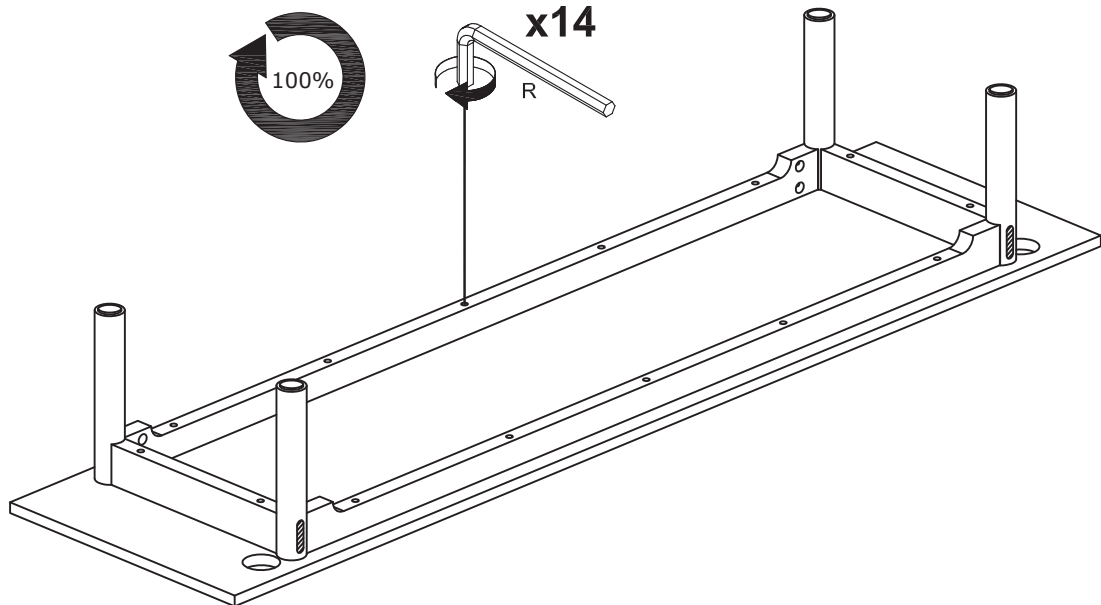
5

E x 4  Ø6/Ø16 mm	F x 4  Ø6 mm	G x 4  M6x65 mm	L x 4  Ø35x3 mm	R x 1  4 mm	
---	---	--	---	--	--



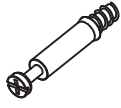
6

R x 1  4 mm	
--	--

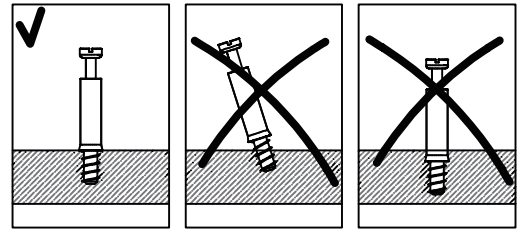
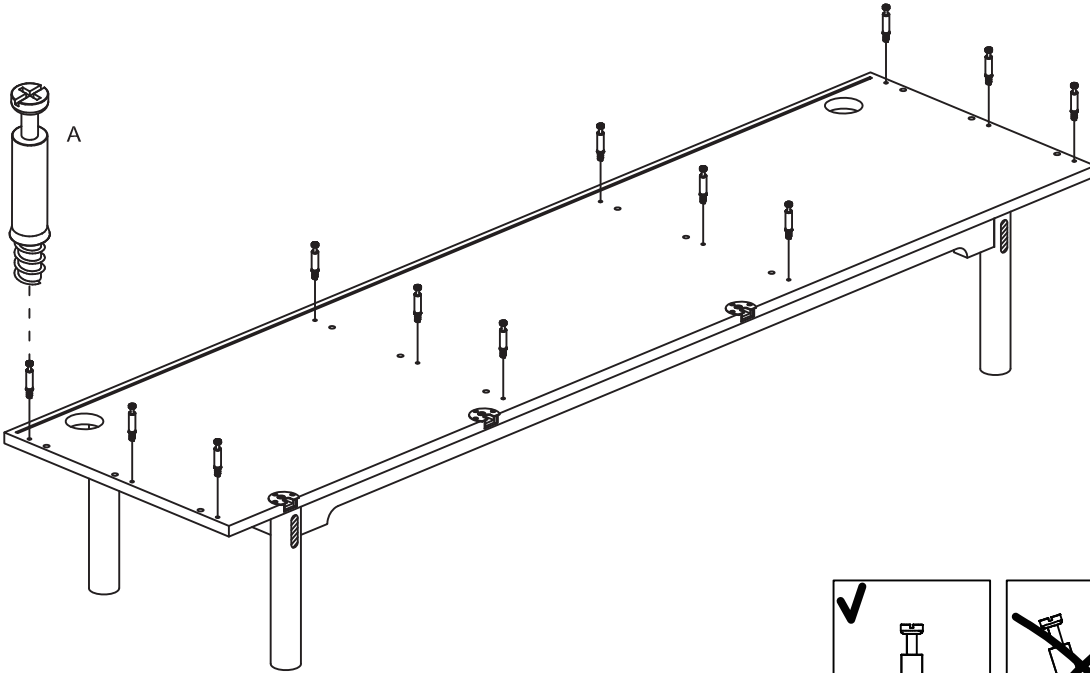
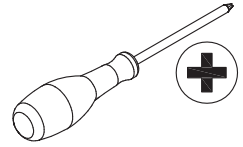


7

A x 12

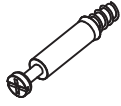


Ø6x43 mm



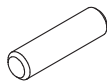
8

A x 2

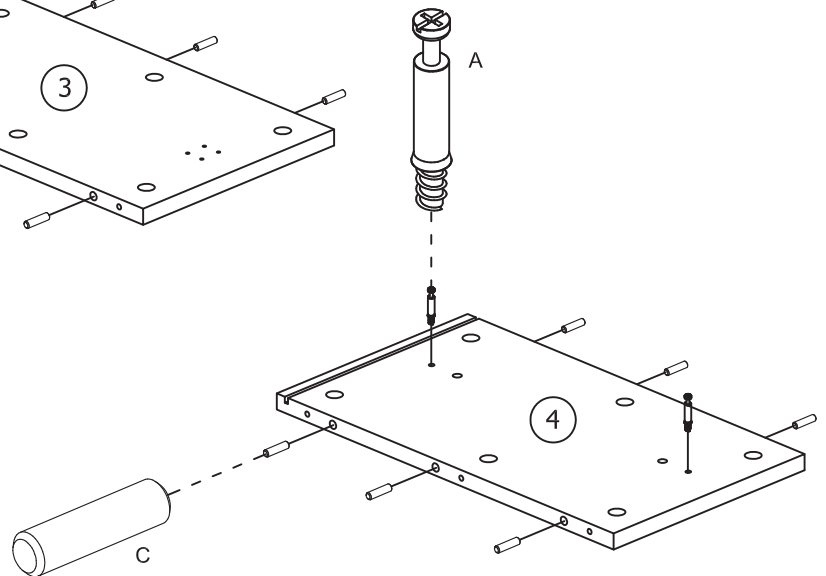
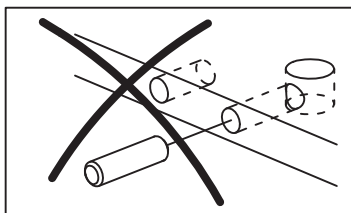
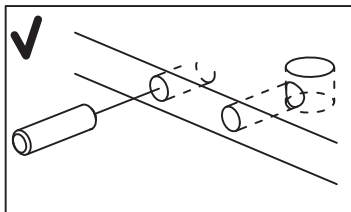
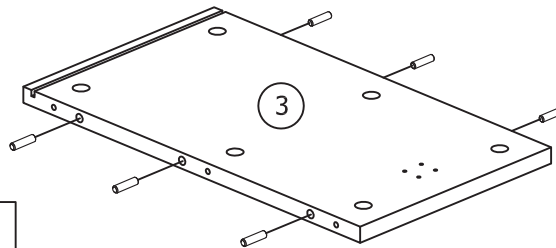
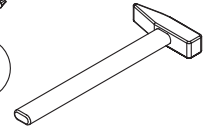
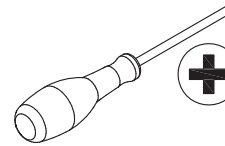


Ø6x43 mm

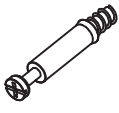
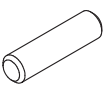
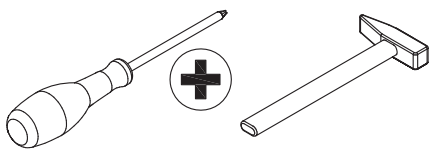
C x 12

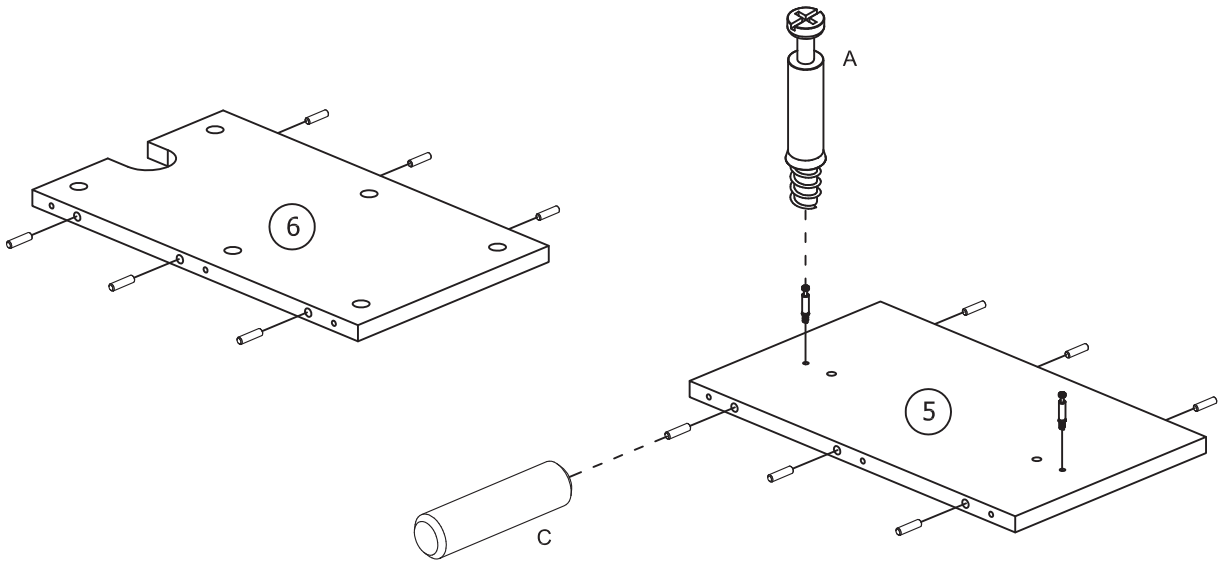


Ø8x30 mm

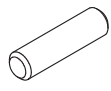


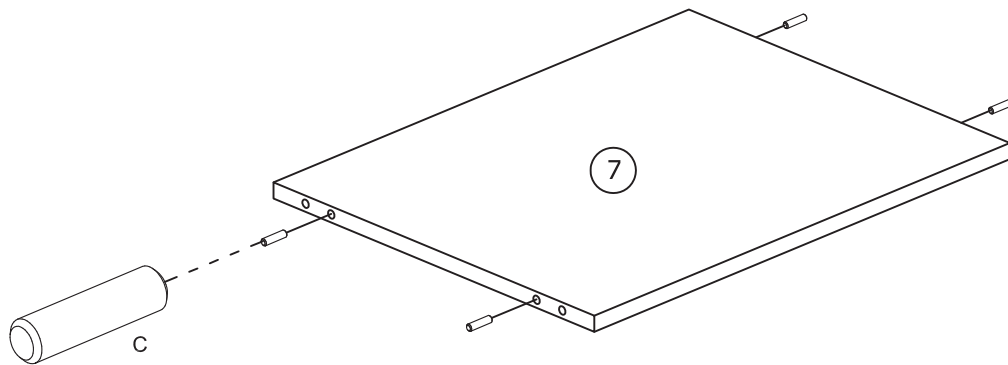
9

A x 2  Ø6x43 mm	C x 12  Ø8x30 mm	 +
--	---	--



10

C x 4  Ø8x30 mm	
--	---

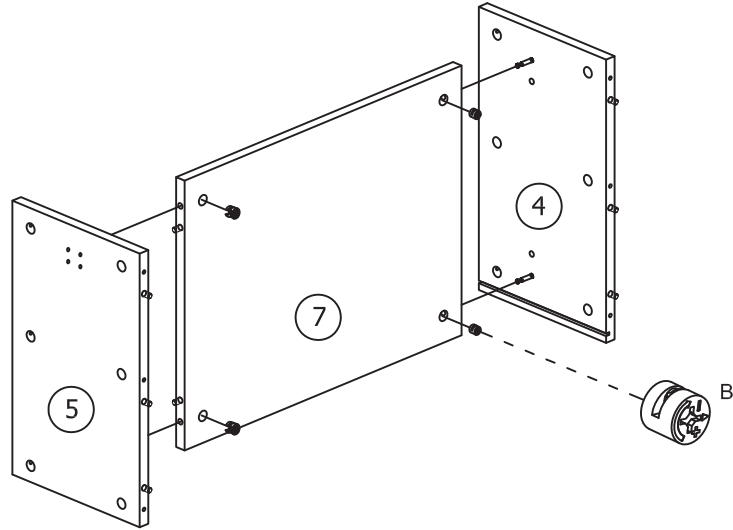
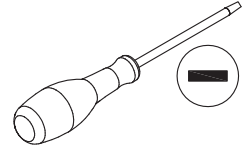


11

B x 4



Ø15x12 mm

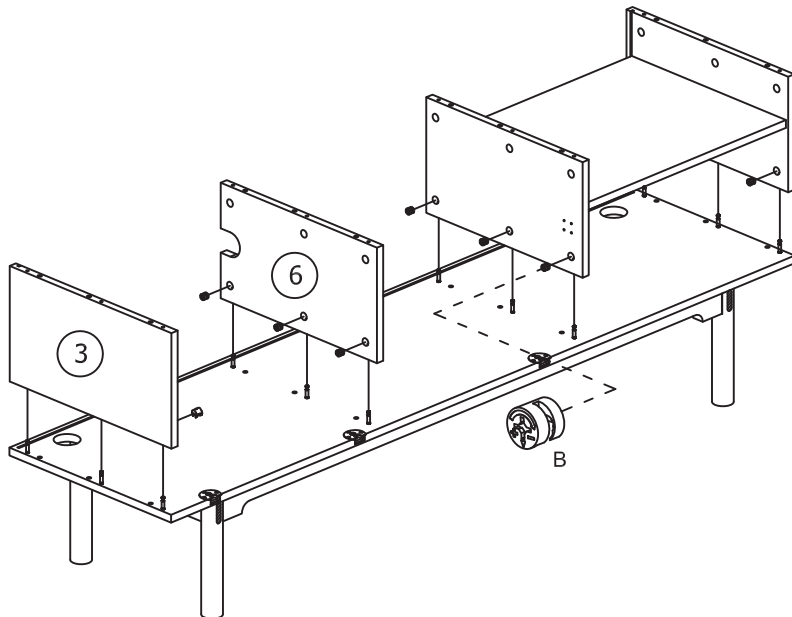
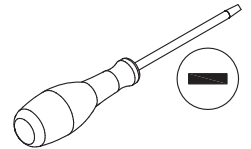


12

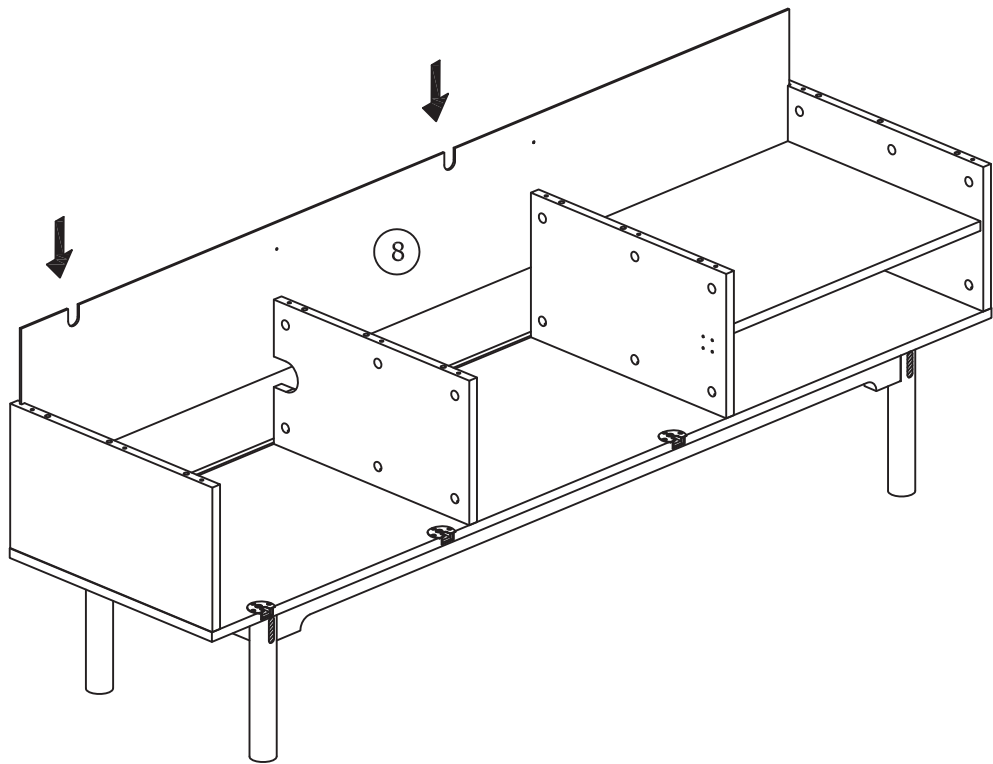
B x 12



Ø15x12 mm

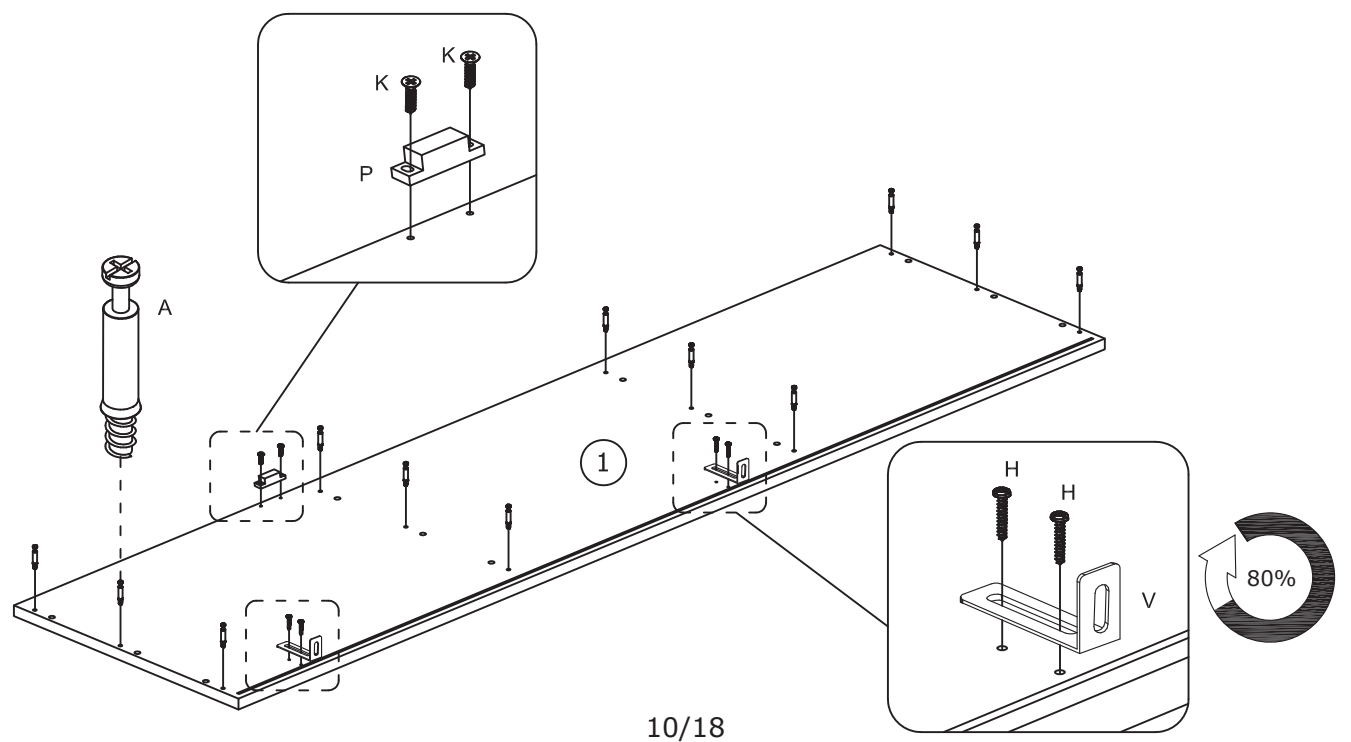


13



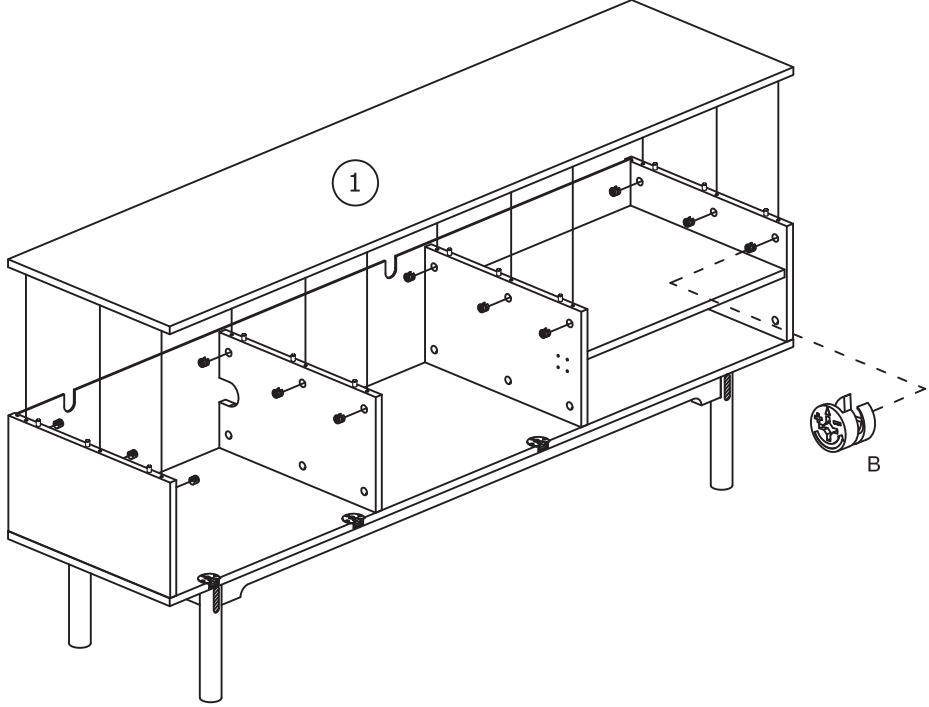
14

A x 12	H x 4	K x 2	P x 1	V x 2	
Ø6x43 mm	Ø3.5x16 mm	Ø3.5x16 mm	45x12 mm	75x25x15 mm	




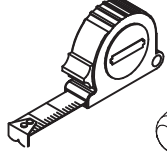
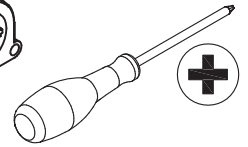



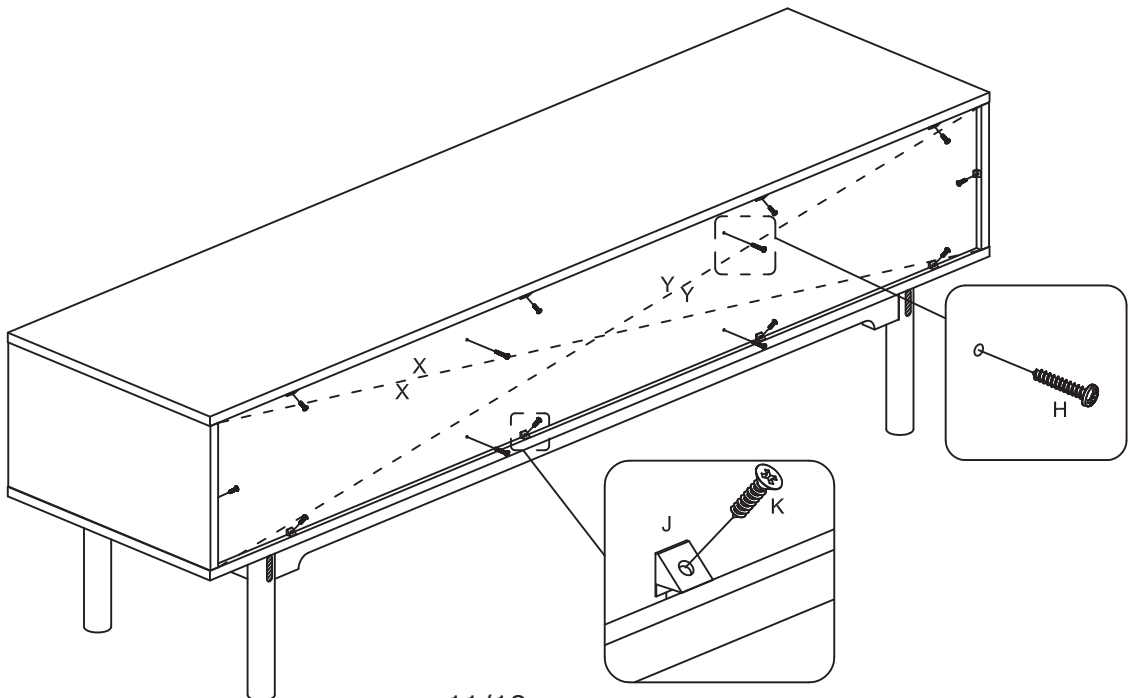
15

B x 12  Ø15x12 mm		 
--	--	---



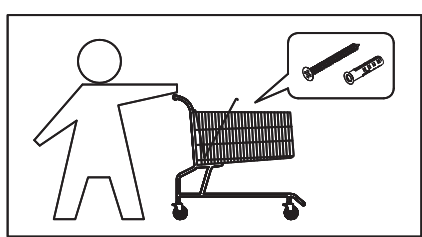
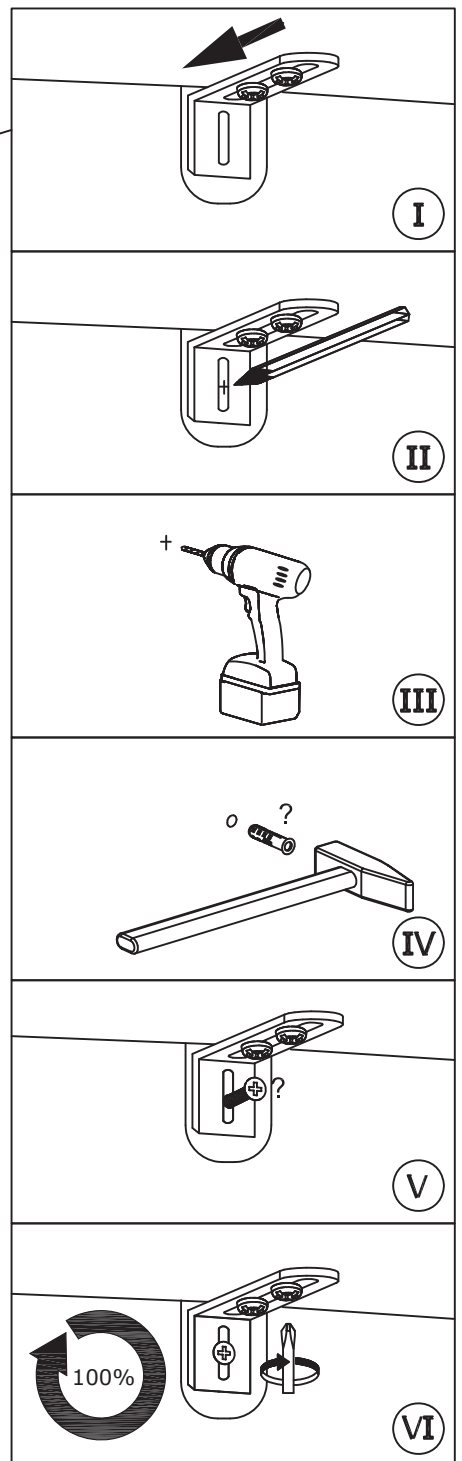
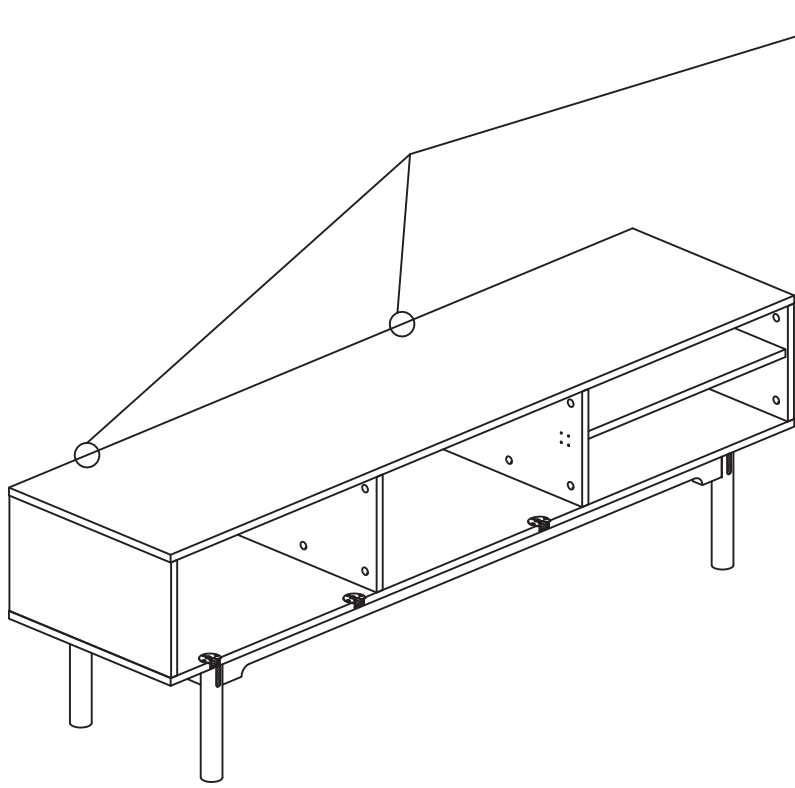
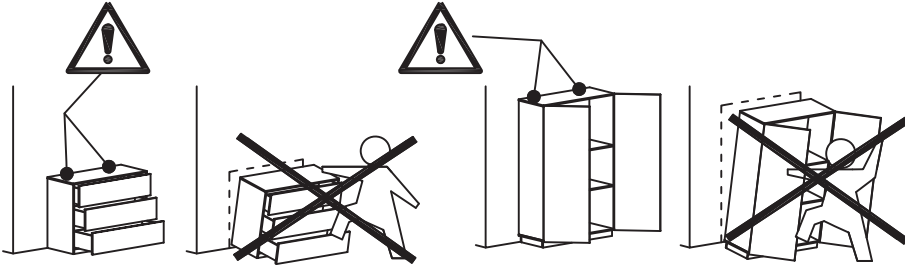
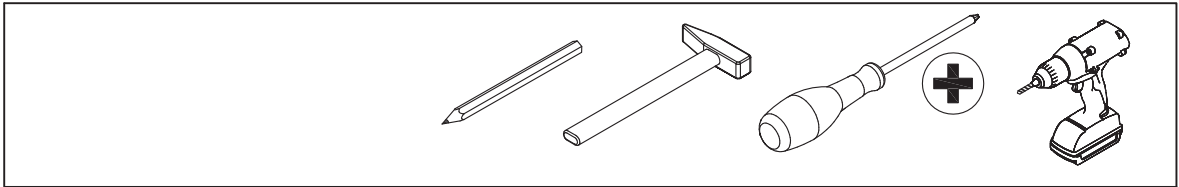
16

H x 4  Ø3.5x16 mm	J x 10  14x14 mm	K x 10  Ø3.5x16 mm	  
--	---	---	---



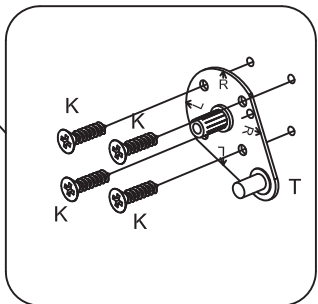
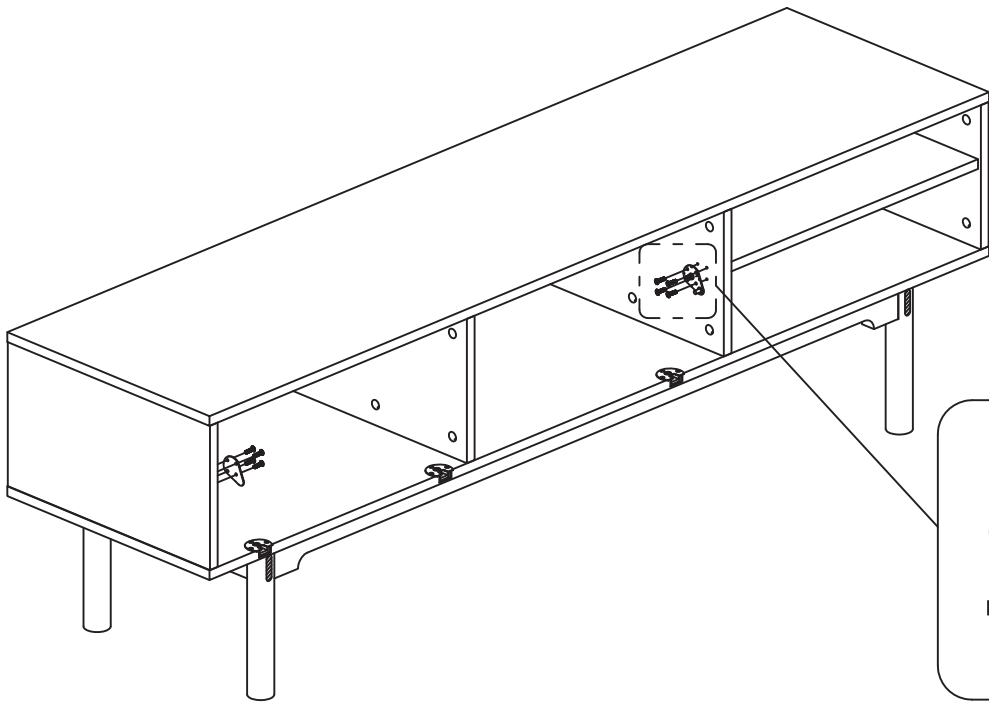
XX=YY=90°

17



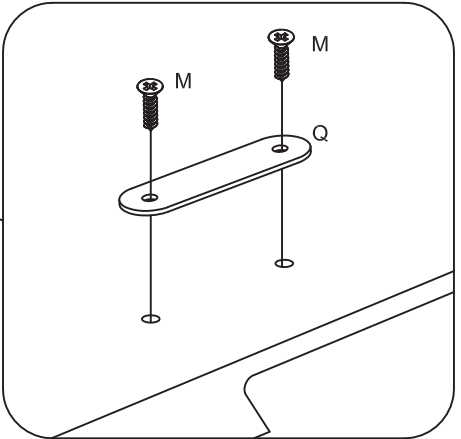
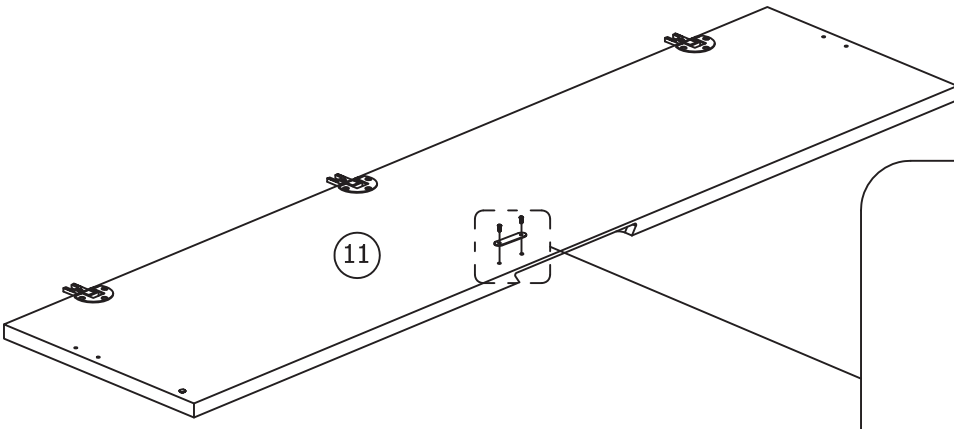
18

<p>K x 8</p>  <p>Ø3.5x16 mm</p>	<p>T x 2</p>  <p>54x38x16 mm</p>	
--	---	---

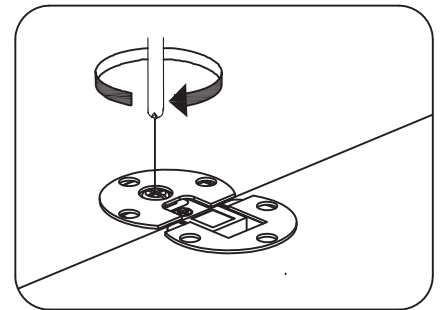
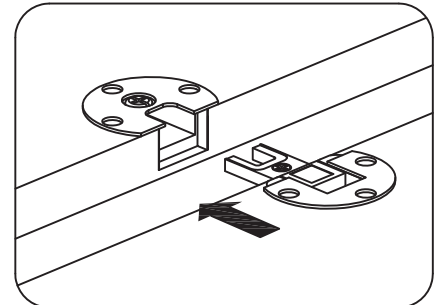
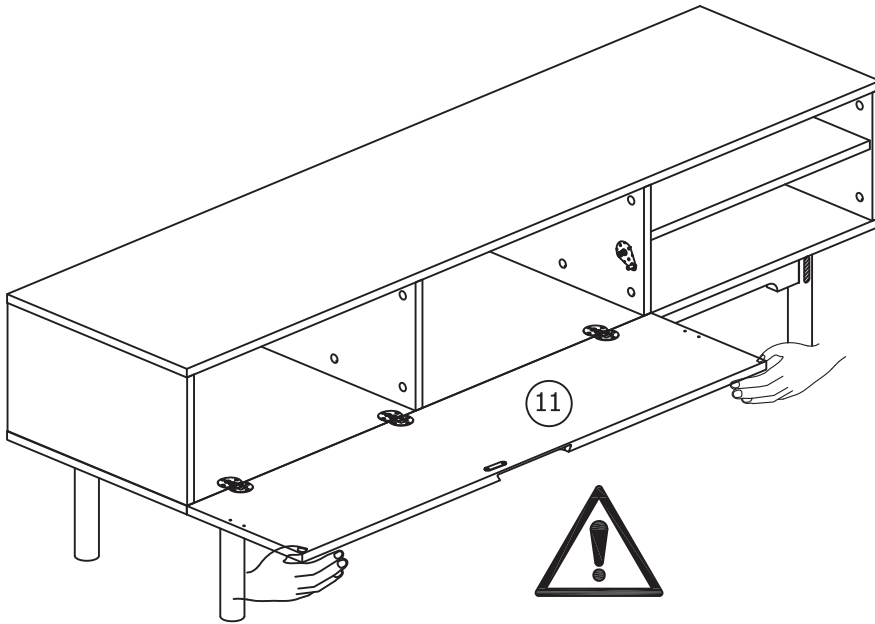
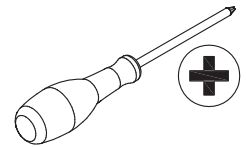


19

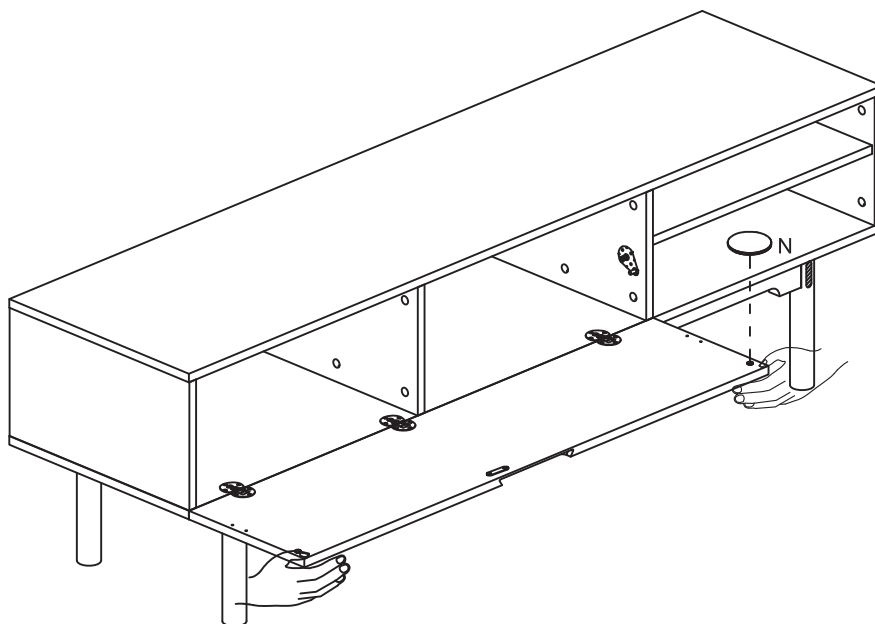
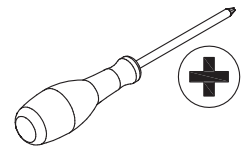
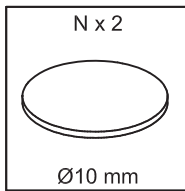
<p>M x 2</p>  <p>Ø3x12 mm</p>	<p>Q x 1</p>  <p>44x12x1 mm</p>	
--	--	---




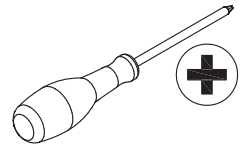

20

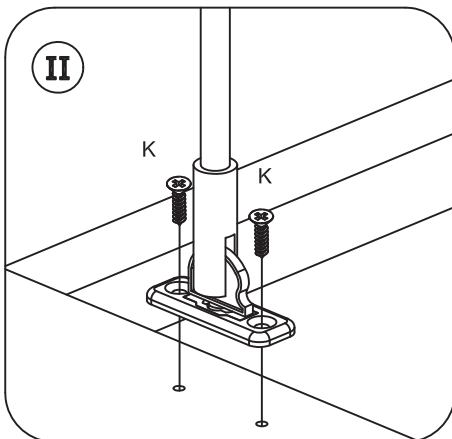
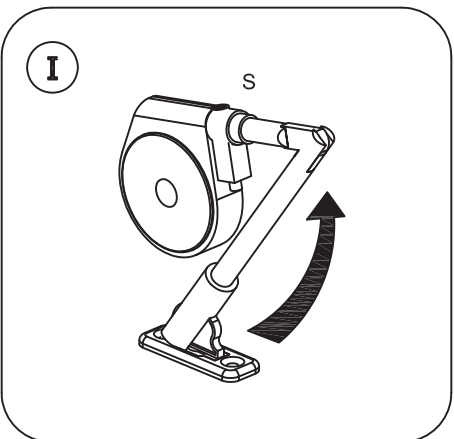
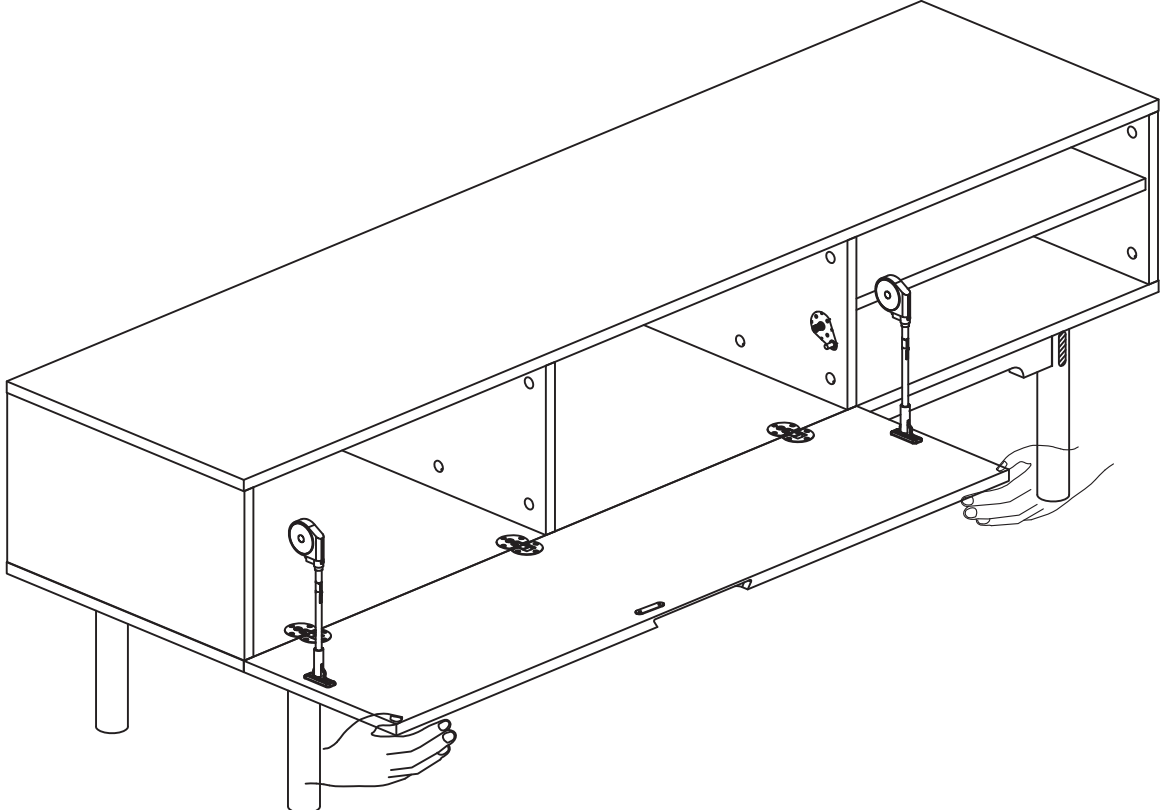


21



22

<p>K x 4</p>  <p>Ø3.5x16 mm</p>	<p>S x 2</p>  <p>225x55x15 mm</p>	 
--	--	---

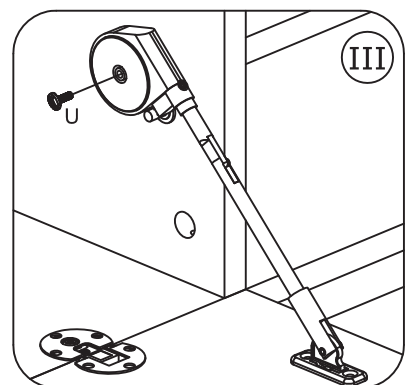
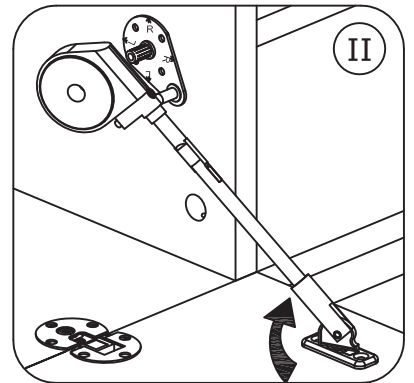
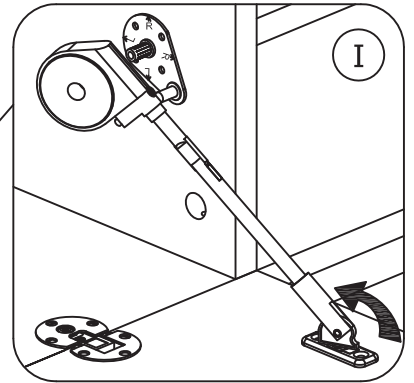
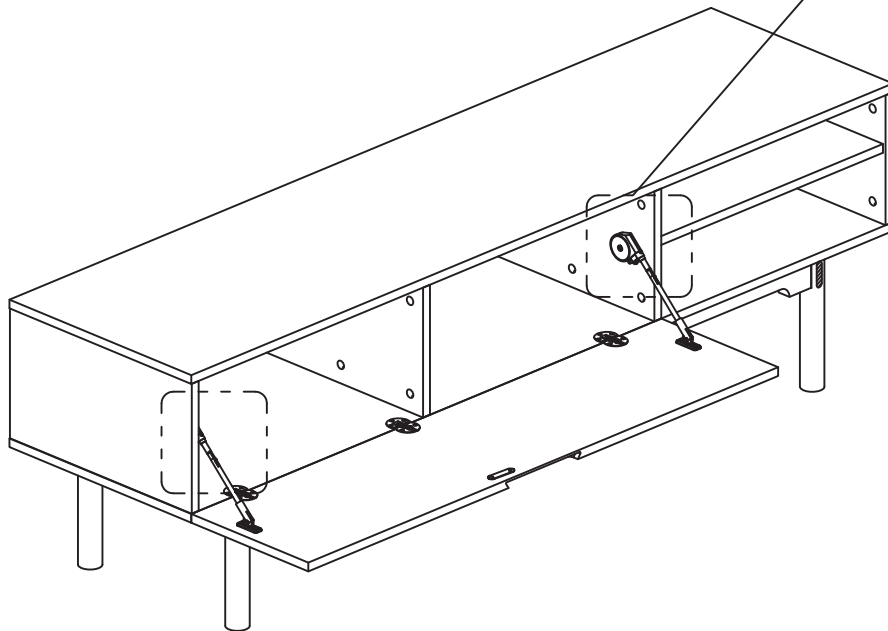
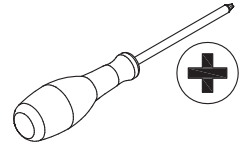


23

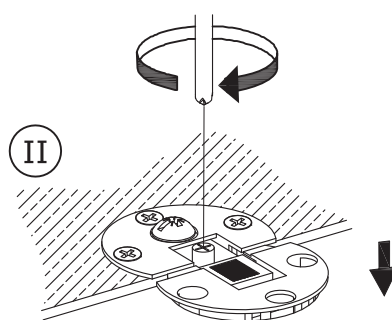
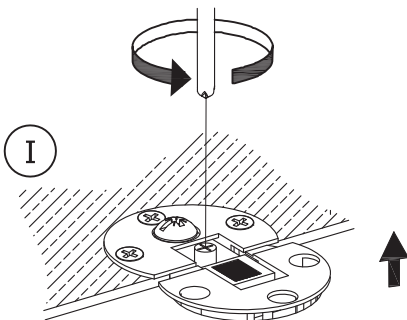
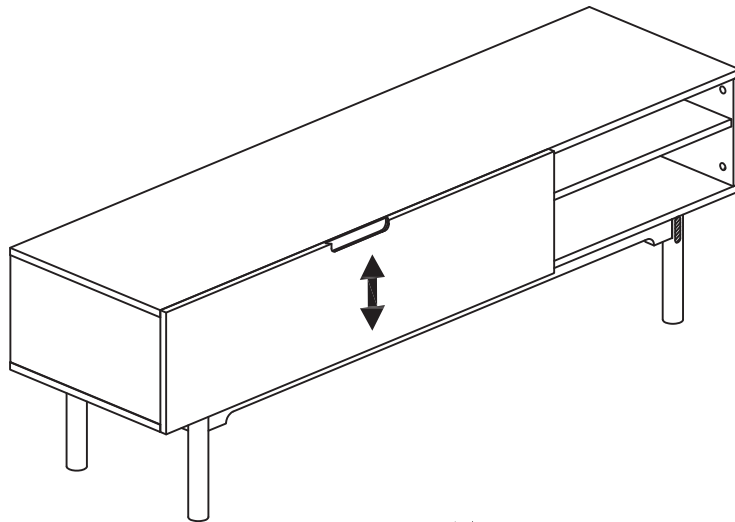
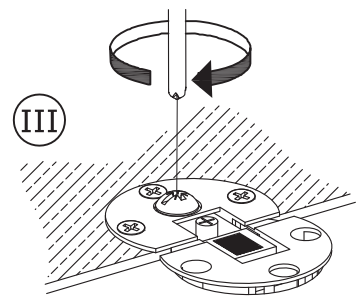
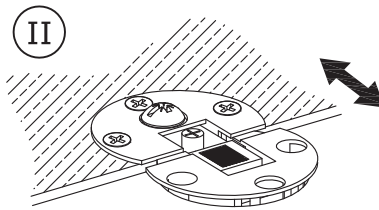
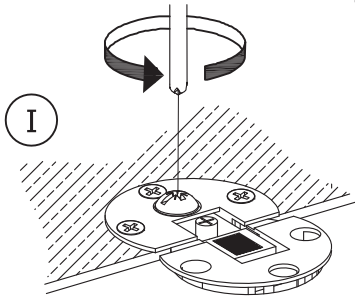
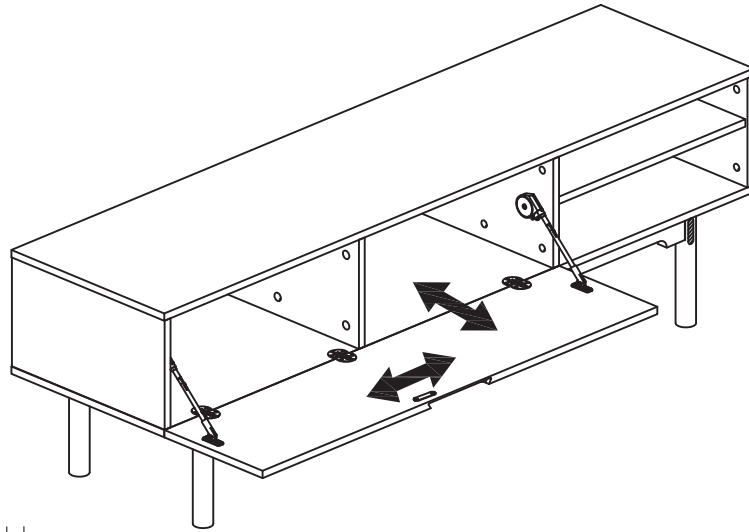
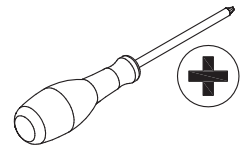
U x 2



Ø4x10 mm



24



25

