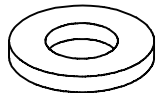


A × 8



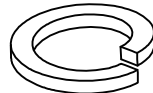
M6×45 mm

B × 12



Ø6/Ø14 mm

C × 12



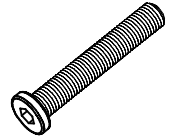
Ø6 mm

D × 4



Ø35×3 mm

E × 4

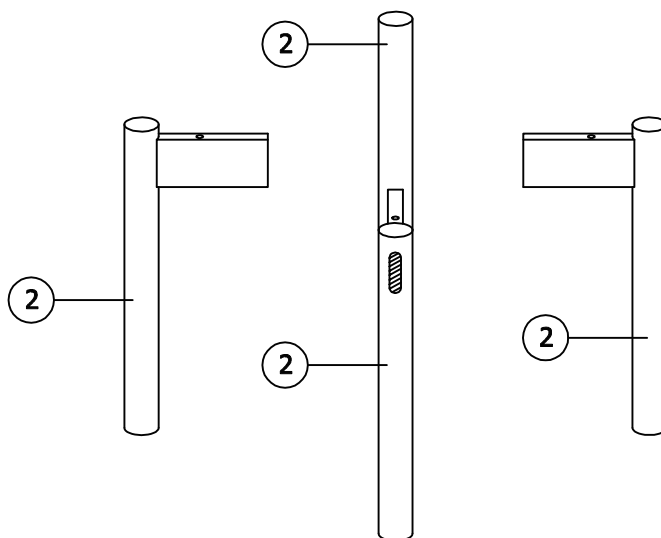
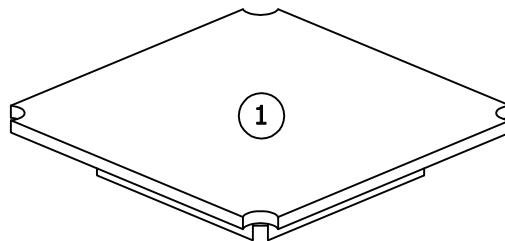


M6×70 mm


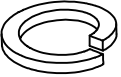


F × 1

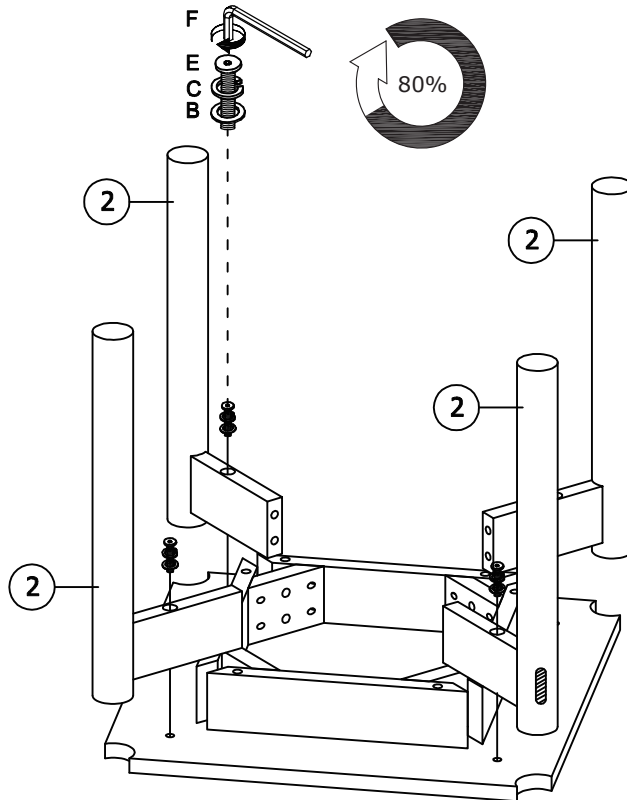


4 mm



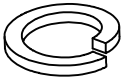



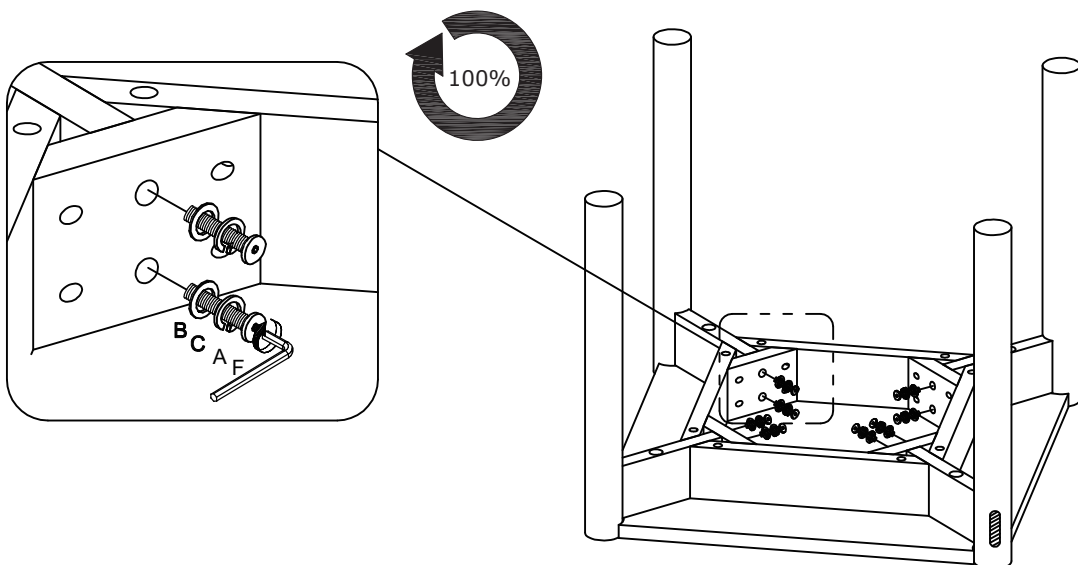
1

B x 4  Ø6/Ø14 mm	C x 4  Ø6 mm	E x 4  M6x70 mm	F x 1  4 mm	
---	---	--	---	--





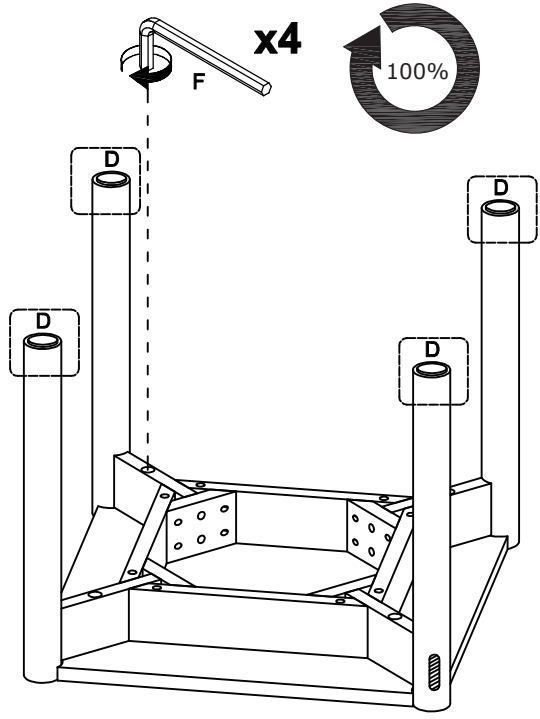
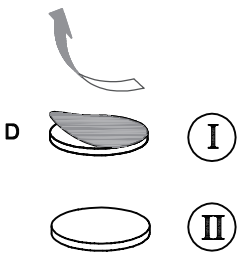
2

A x 8  M6x45 mm	B x 8  Ø6/Ø14 mm	C x 8  Ø6 mm	F x 1  4 mm	
--	---	---	---	--



3

D x 4  Ø35x3 mm	F x 1  4 mm
--	--



4

