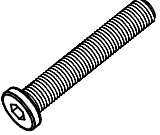

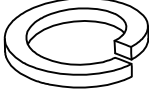

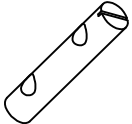
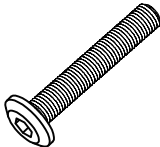


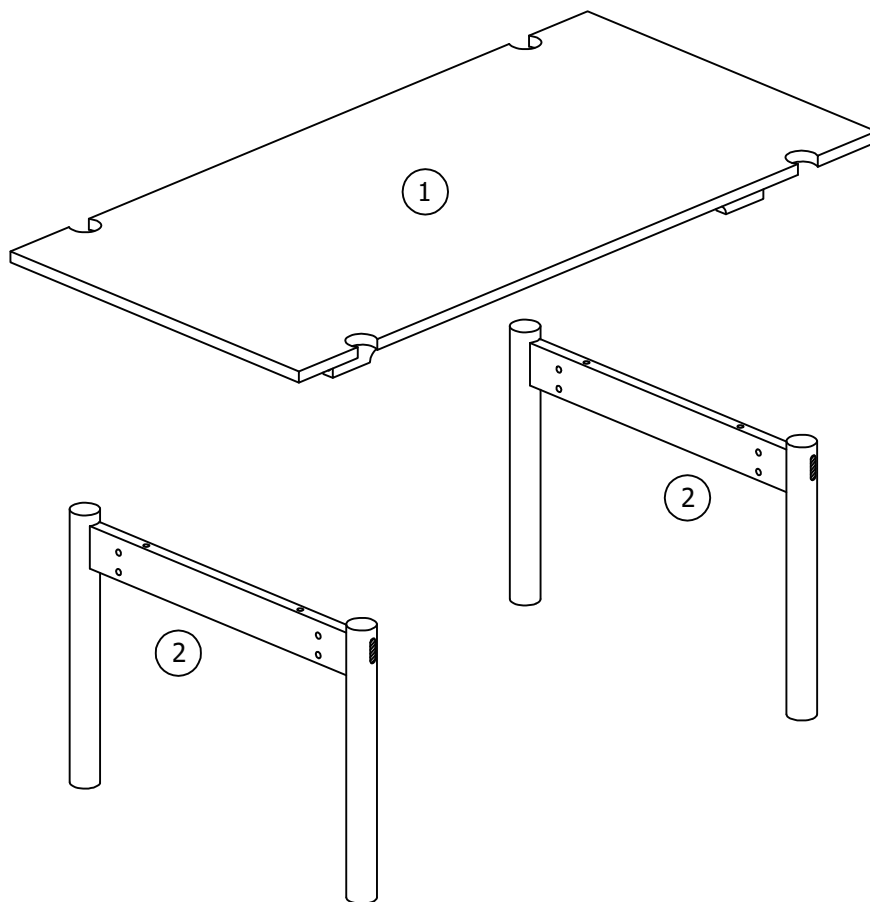


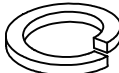

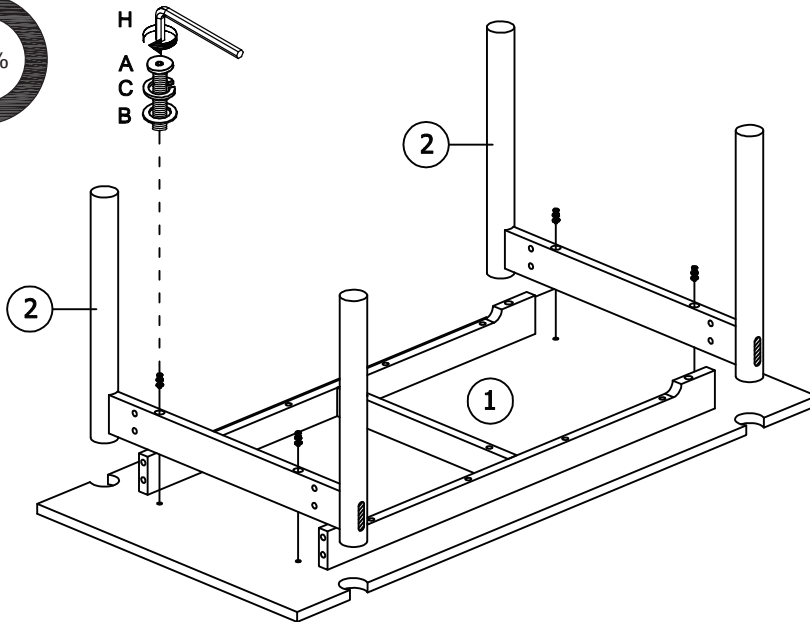
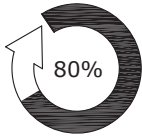


<p>A × 4</p>  <p>M6×75 mm</p>	<p>B × 4</p>  <p>ø6/ø14 mm</p>	<p>C × 4</p>  <p>ø6 mm</p>	<p>D × 4</p>  <p>ø35×3 mm</p>	<p>E × 4</p>  <p>ø12×60 mm</p>
<p>F × 8</p>  <p>M8×70 mm</p>	<p>G × 1</p>  <p>5 mm</p>	<p>H × 1</p>  <p>4 mm</p>		


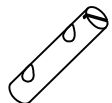


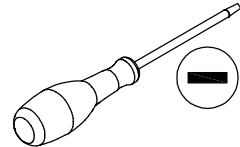


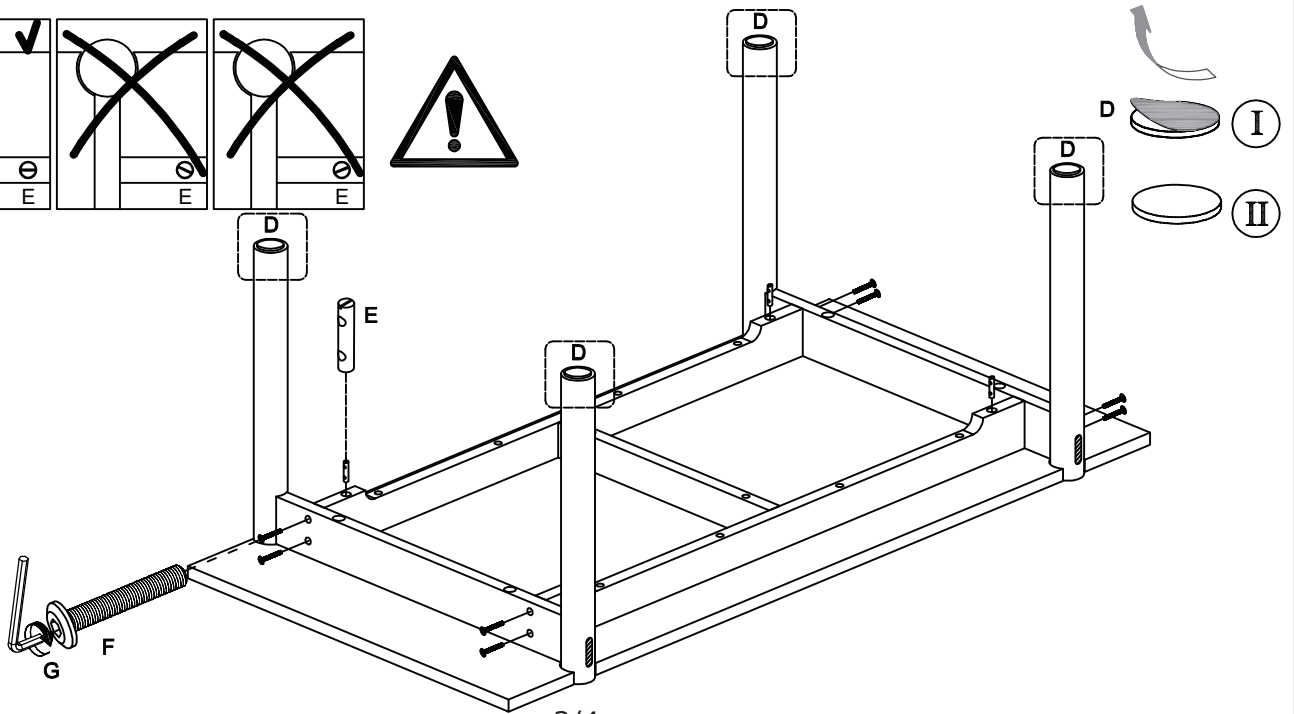
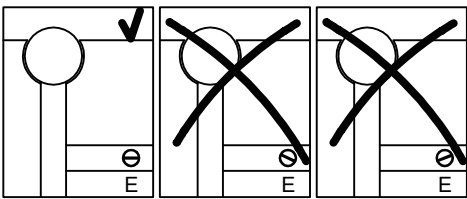
1

A x 4  M6x75 mm	B x 4  Ø6/Ø14 mm	C x 4  Ø6 mm	H x 1  4 mm	
--	---	---	---	--

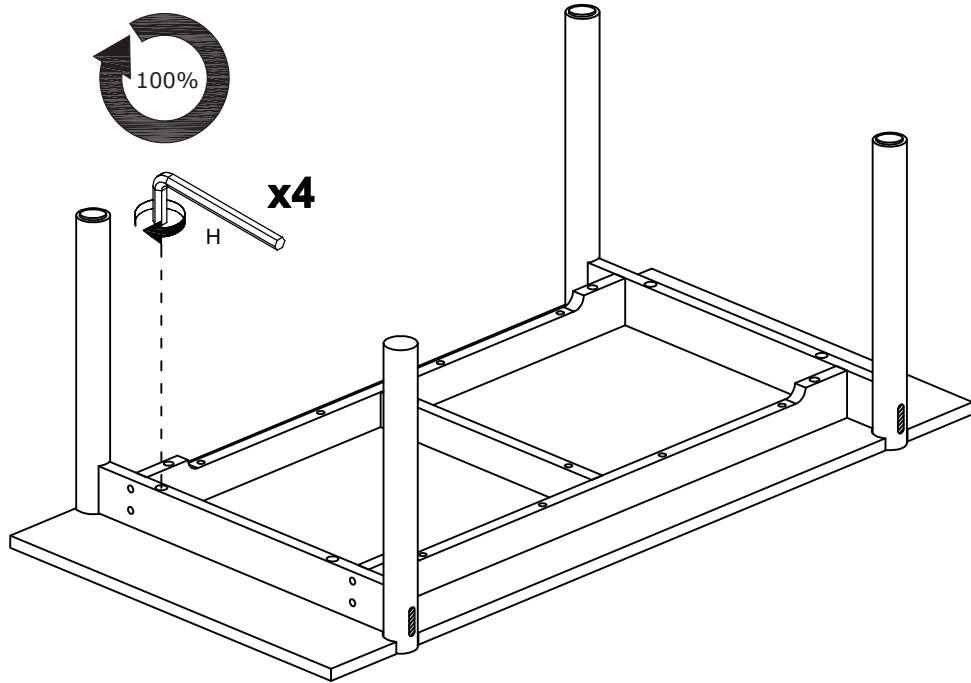


2

D x 4  Ø35x3 mm	E x 4  Ø12x60 mm	F x 8  M8x70 mm	G x 1  5 mm	
--	---	--	---	---



3



4

