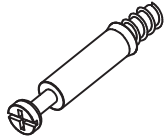
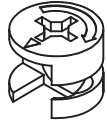


A × 34



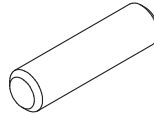
∅6×43 mm

B × 34



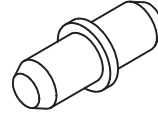
∅15×12 mm

C × 34



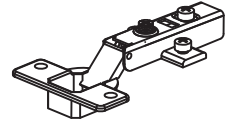
∅8×30 mm

D × 16



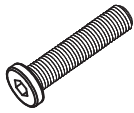
∅5×16 mm

E × 7



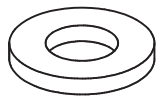
∅35 mm

F × 8



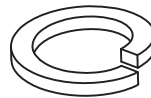
M6×45 mm

G × 12



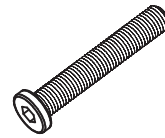
∅6/∅16 mm

H × 12



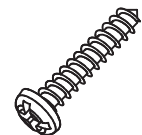
∅6 mm

J × 4



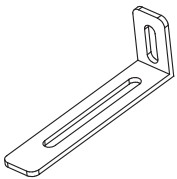
M6×65 mm

K × 8



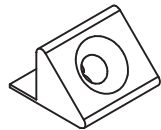
∅3.5×16 mm

L × 2



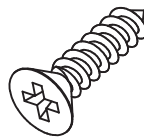
75×25×15 mm

M × 14



14×14 mm

N × 28



∅3.5×16 mm

P × 4



19×14 mm

Q × 4

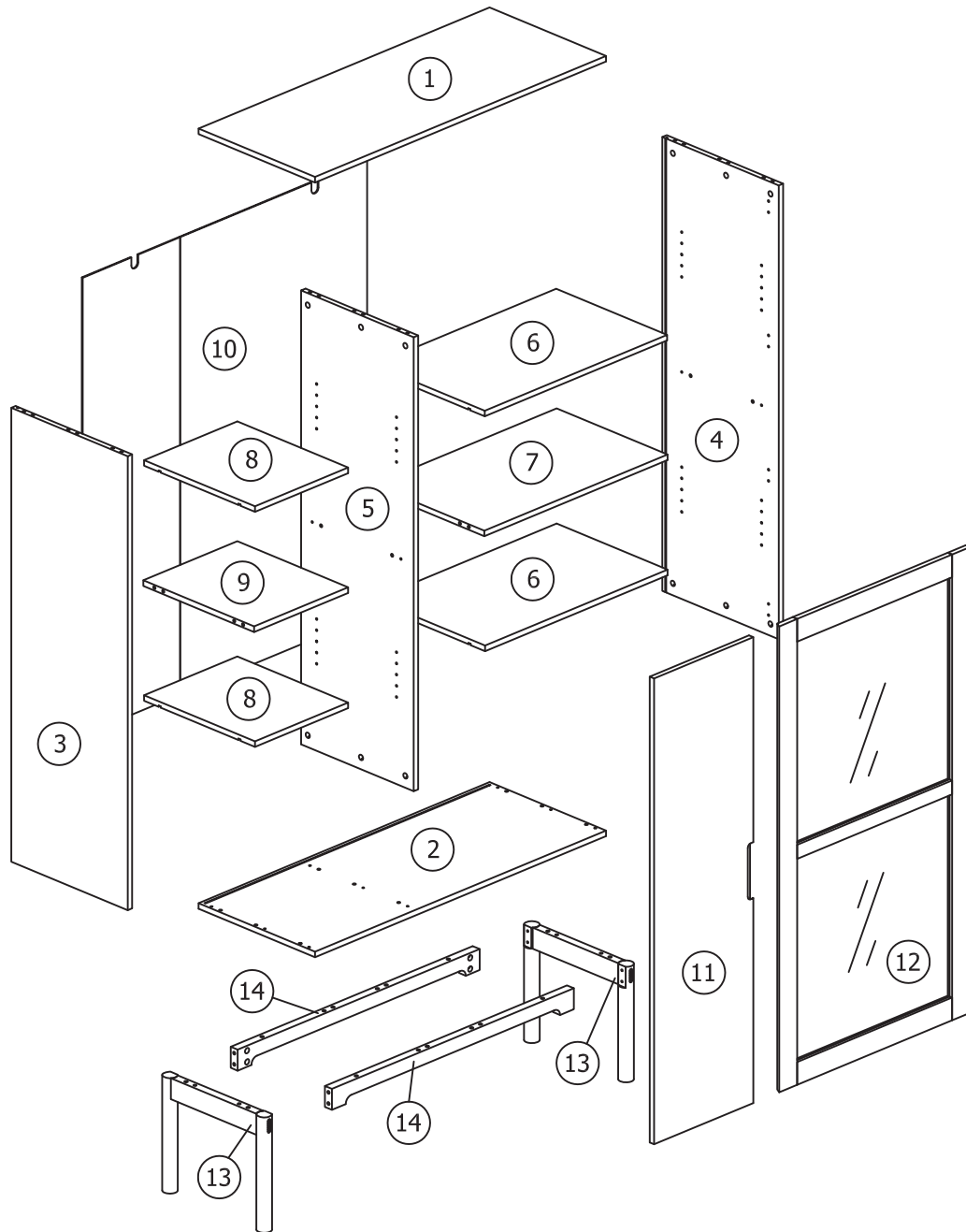


∅35×3 mm

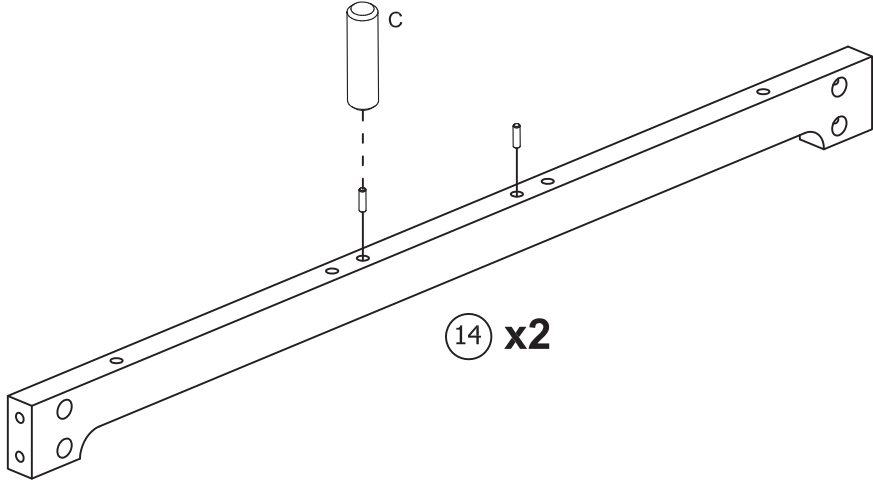
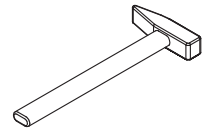
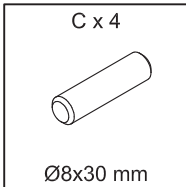
R × 1



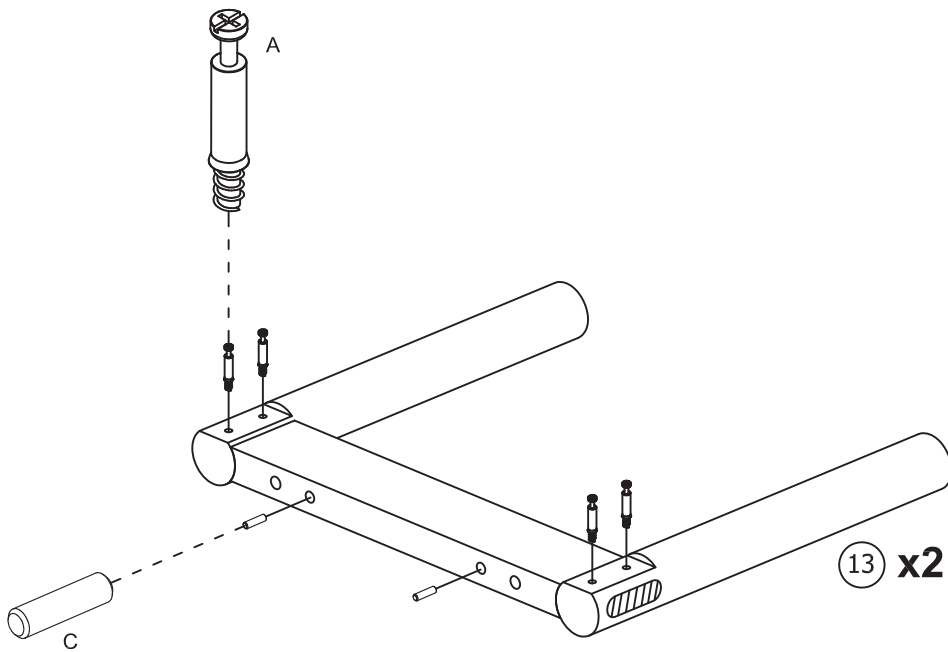
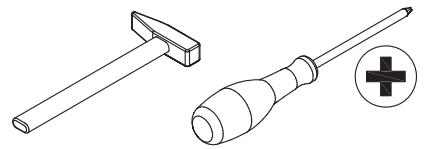
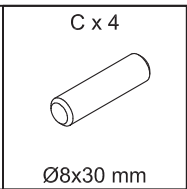
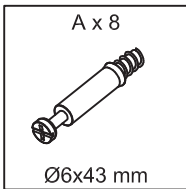
4 mm



1

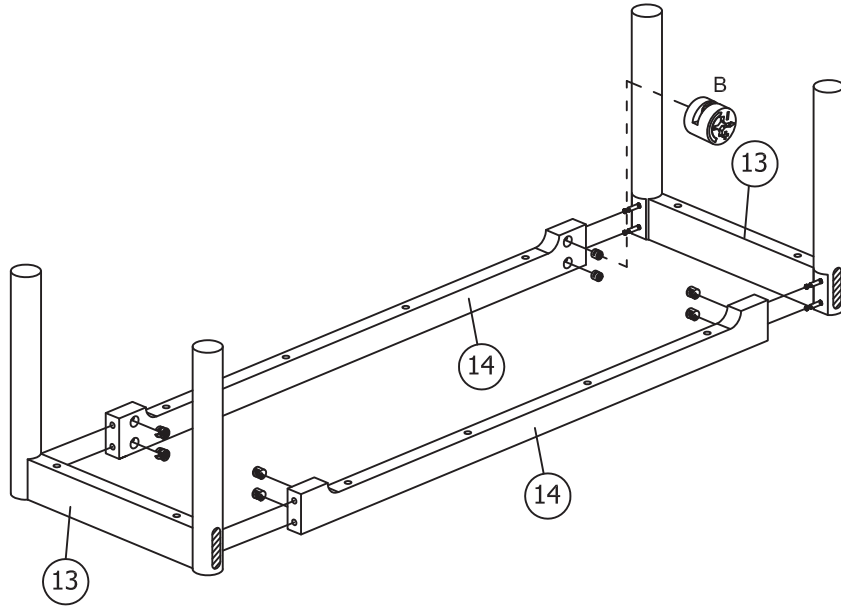


2


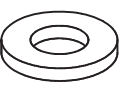
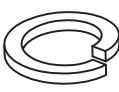



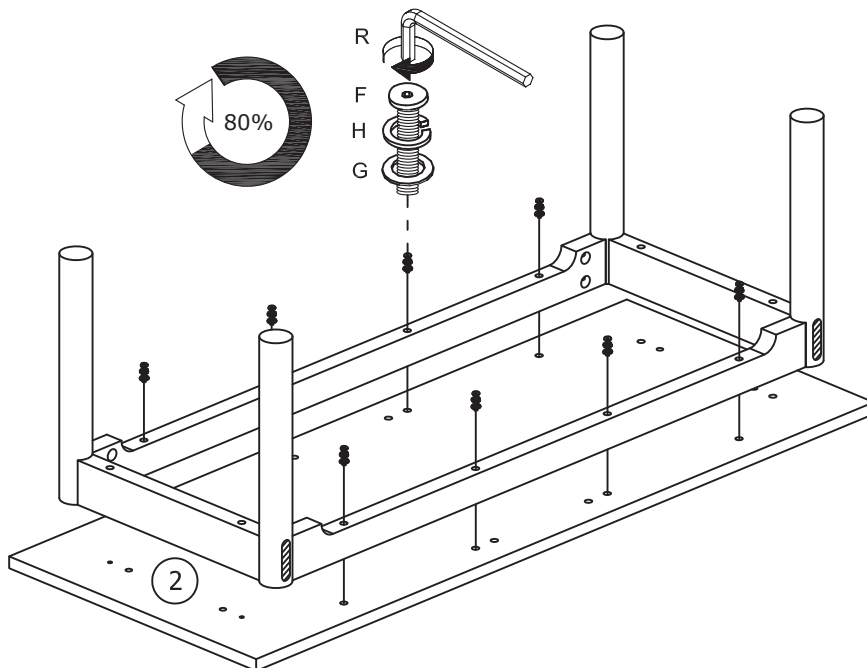
3

<p>B x 8</p>  <p>Ø15x12 mm</p>	
---	---

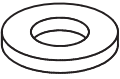
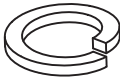





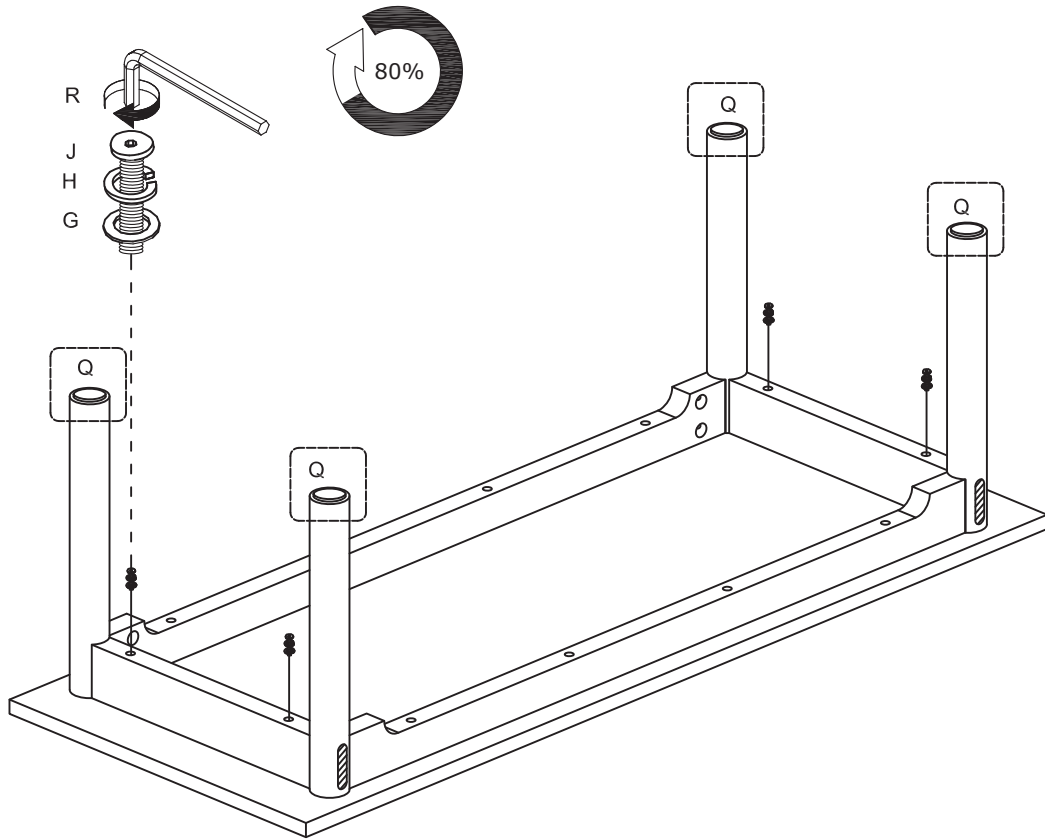
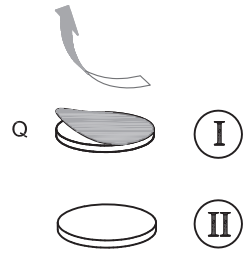
4

<p>F x 8</p>  <p>M6x45 mm</p>	<p>G x 8</p>  <p>Ø6/Ø16 mm</p>	<p>H x 8</p>  <p>Ø6 mm</p>	<p>R x 1</p>  <p>4 mm</p>	
--	---	---	---	--

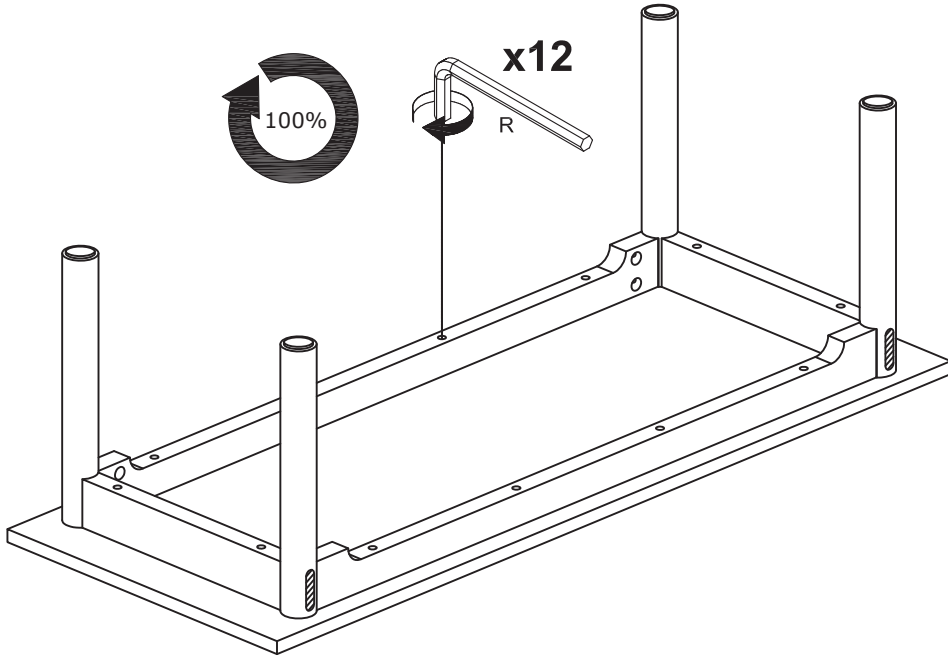


5

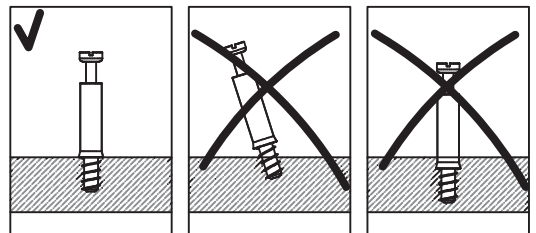
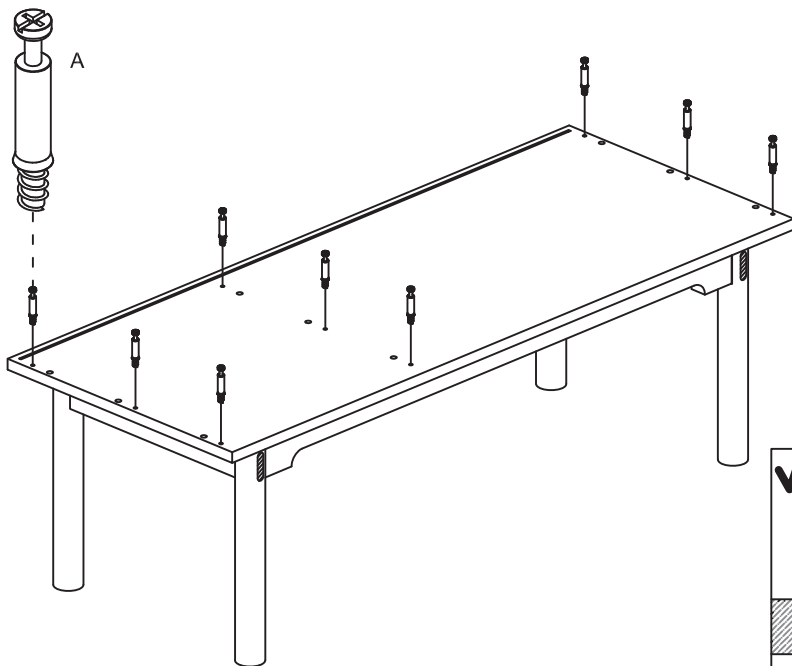
G x 4  Ø6/Ø16 mm	H x 4  Ø6 mm	J x 4  M6x65 mm	Q x 4  Ø35x3 mm	R x 1  4 mm	
---	---	--	---	--	--



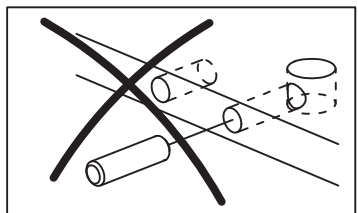
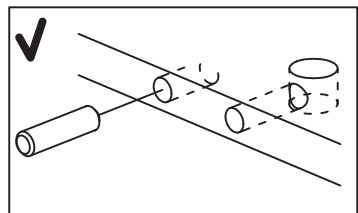
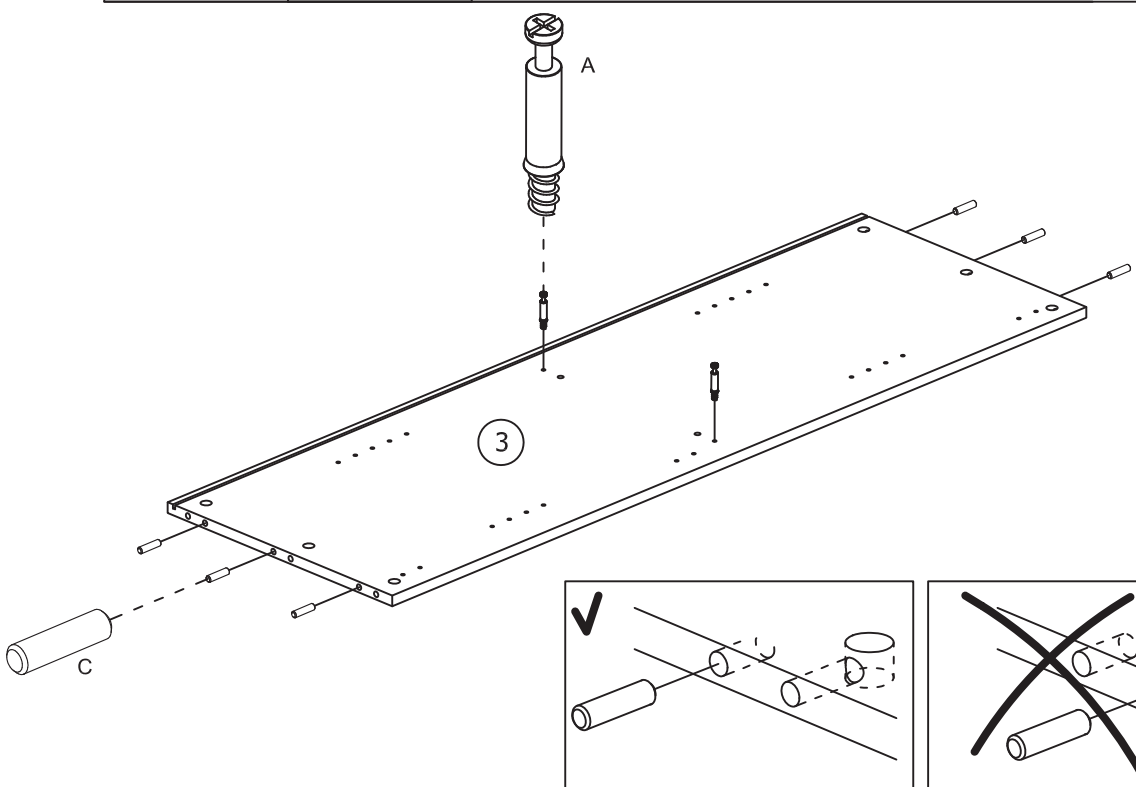
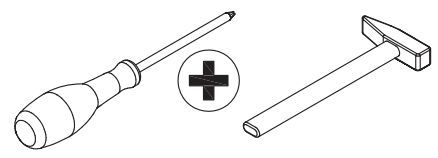
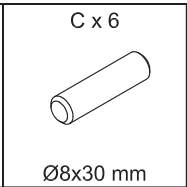
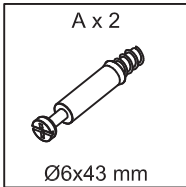
6



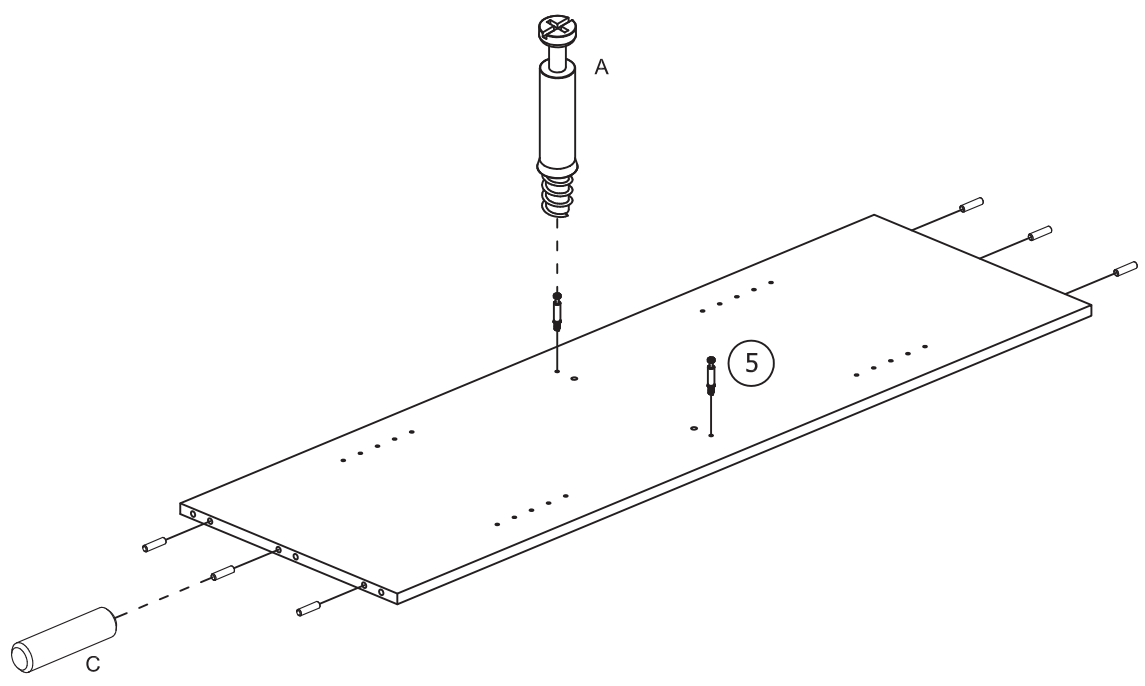
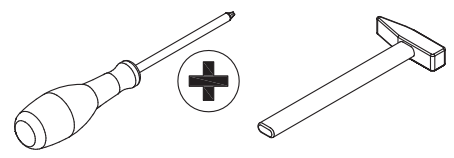
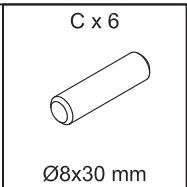
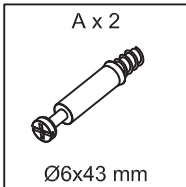
7



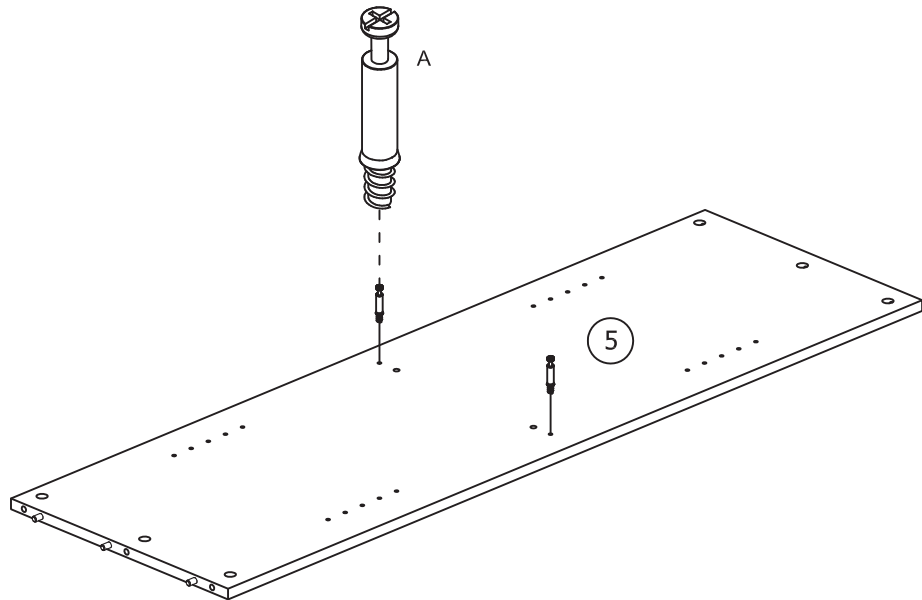
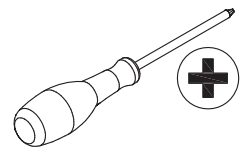
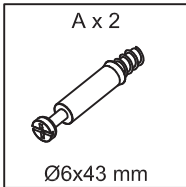
8



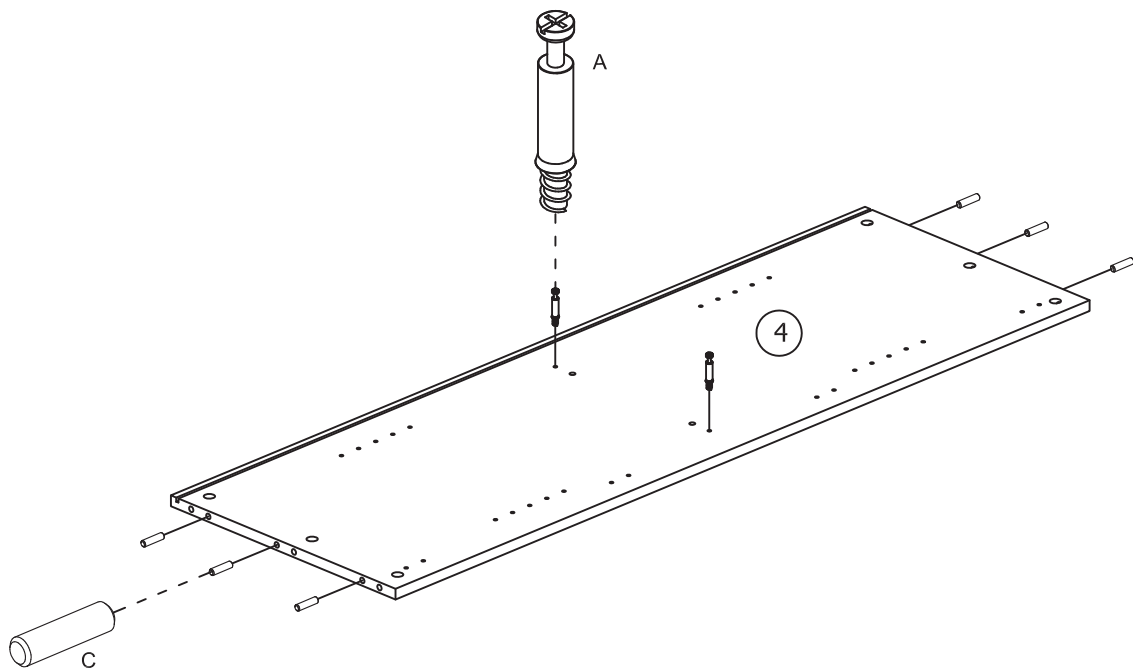
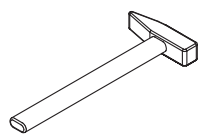
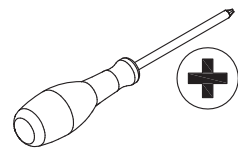
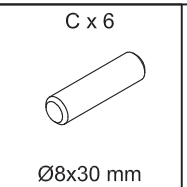
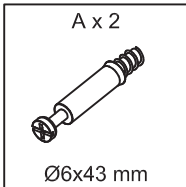
9



10

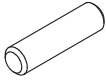


11

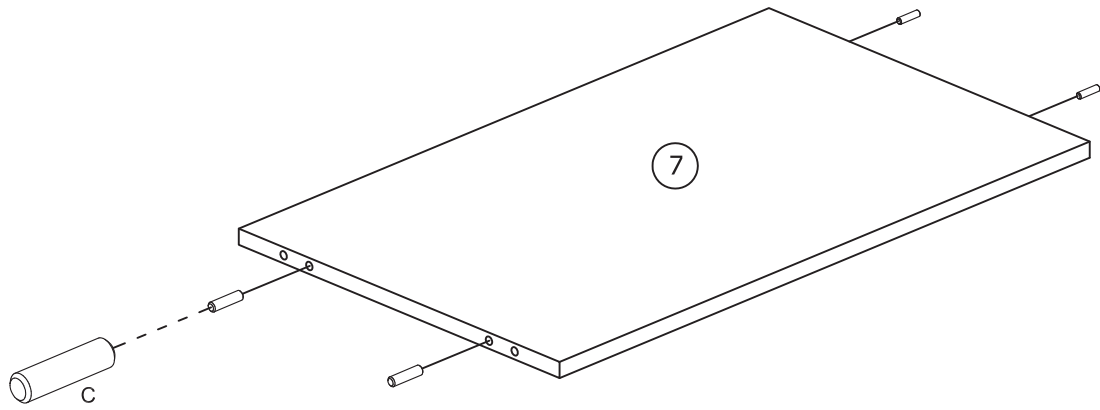
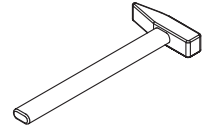


12

C x 4

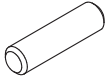


Ø8x30 mm

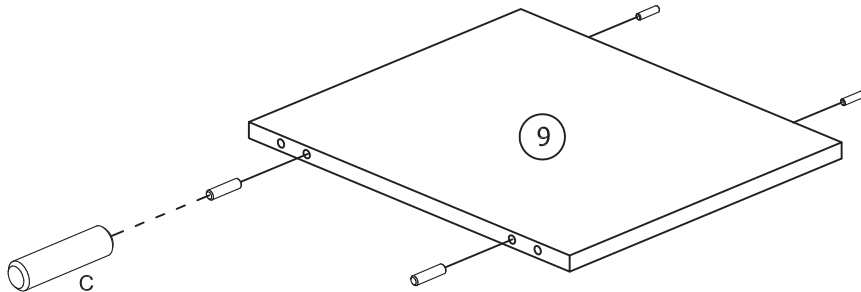
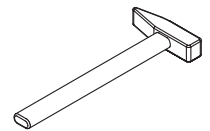


13

C x 4

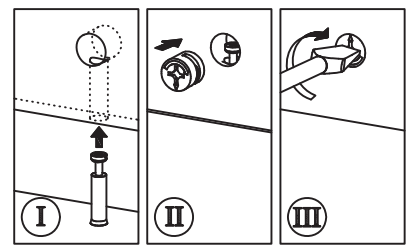
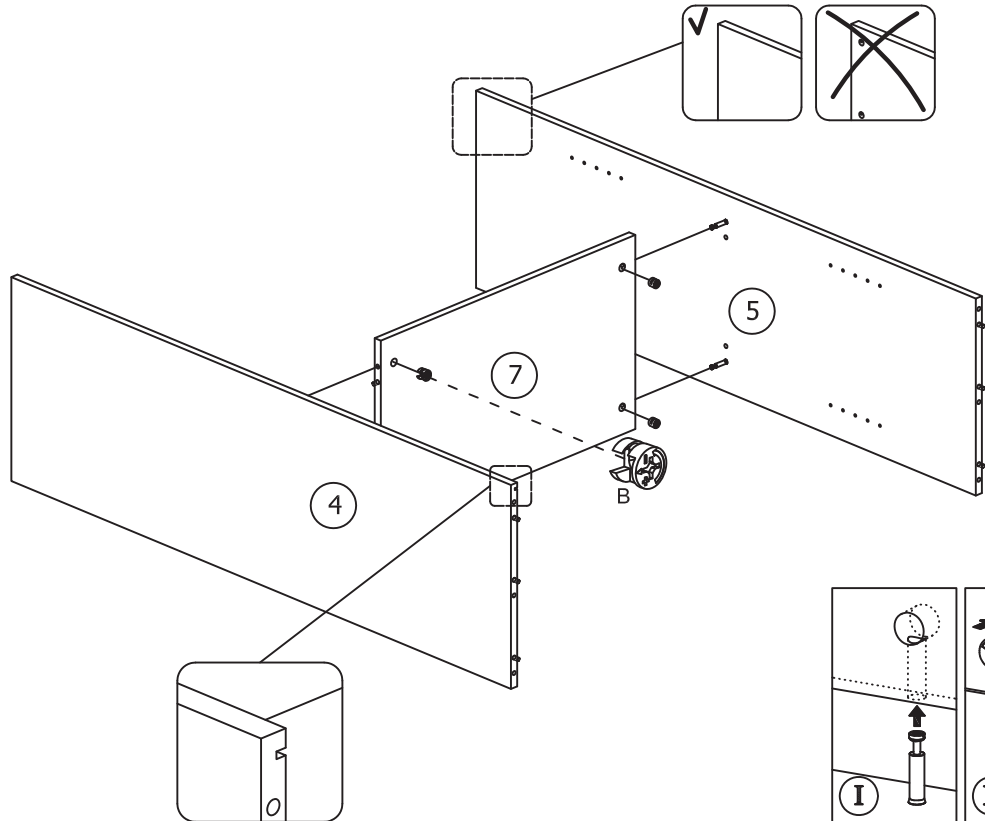
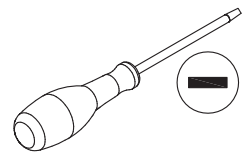


Ø8x30 mm



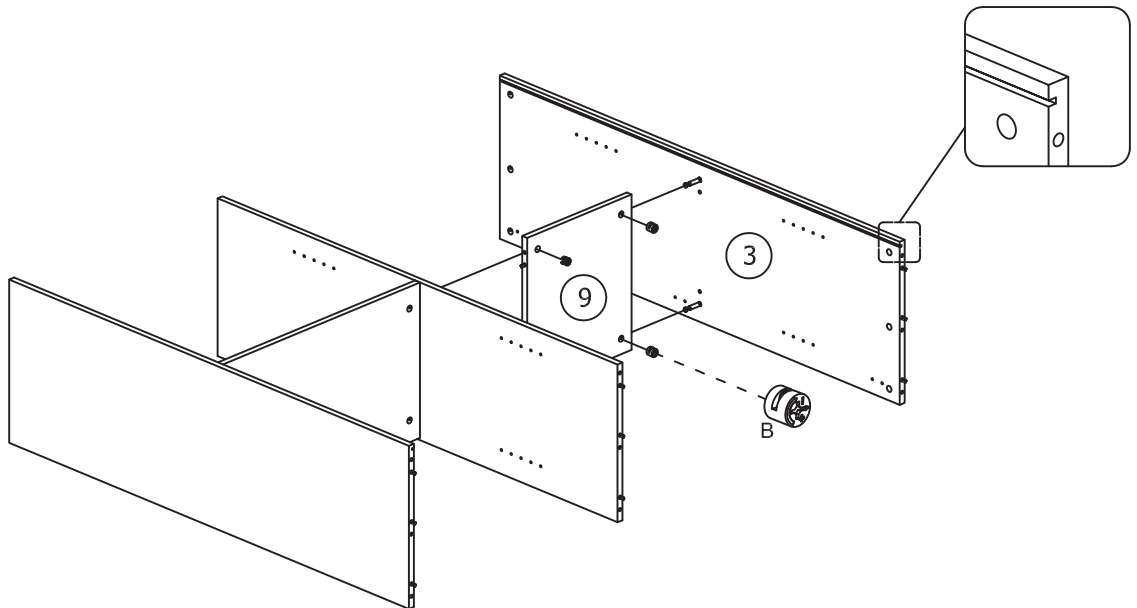
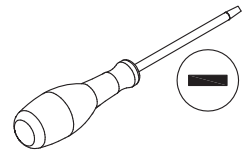
14

B x 4
Ø15x12 mm



15

B x 4
Ø15x12 mm

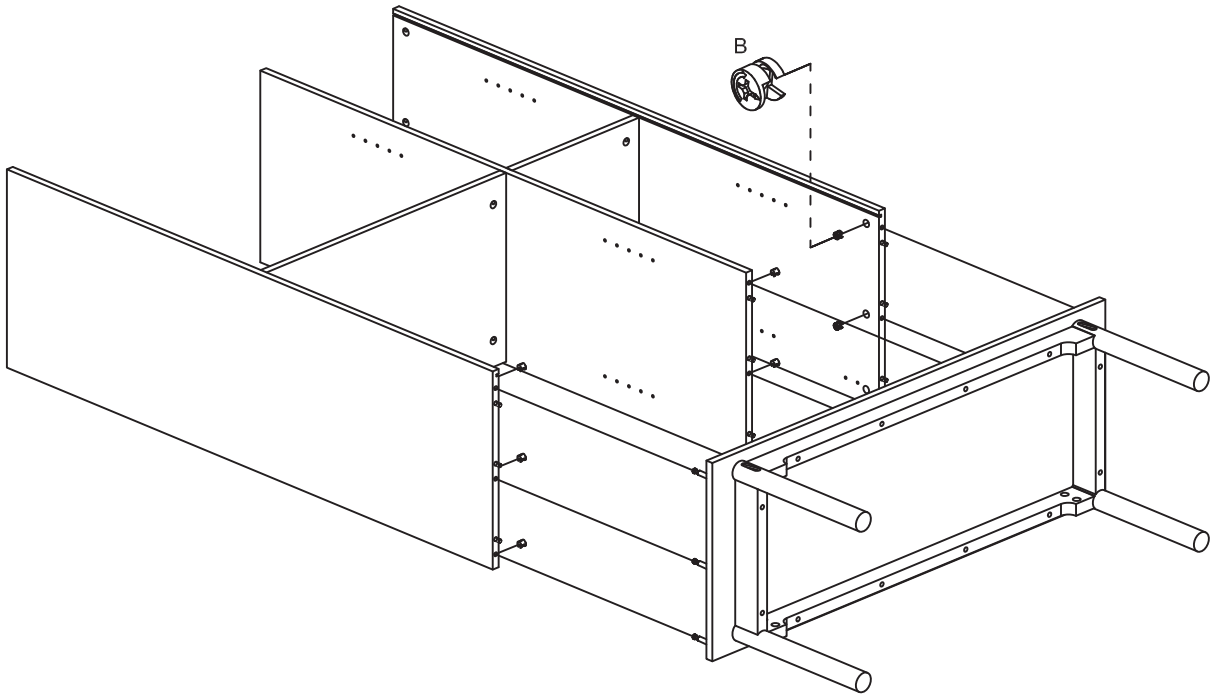
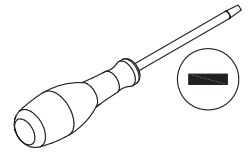


16

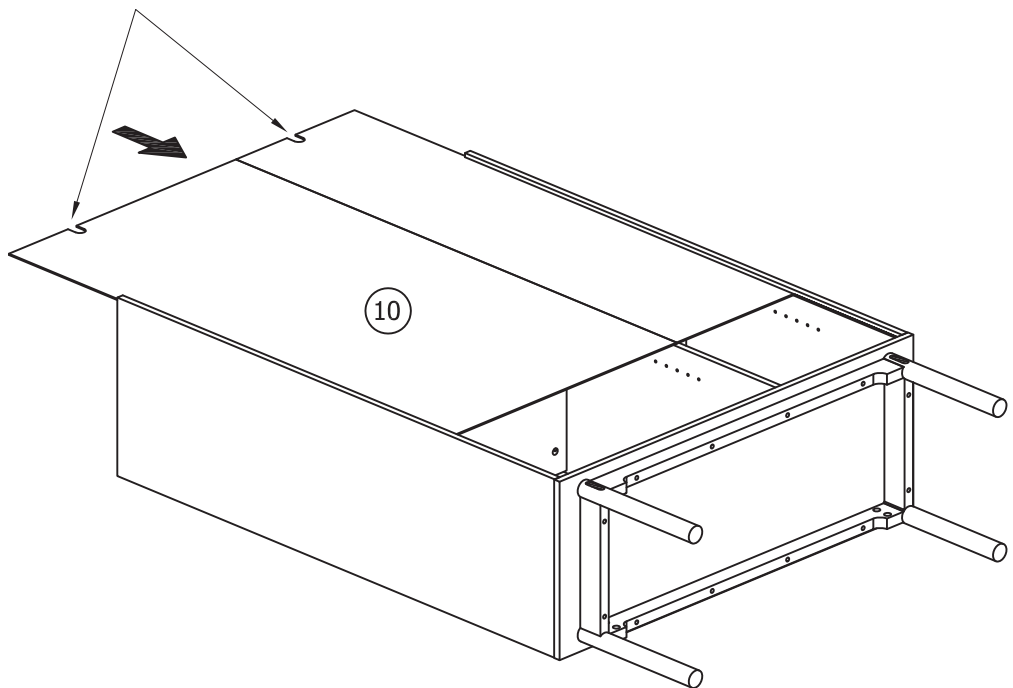
B x 9



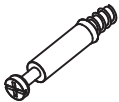

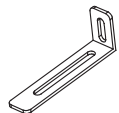
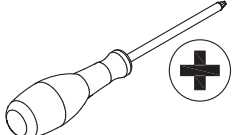
Ø15x12 mm

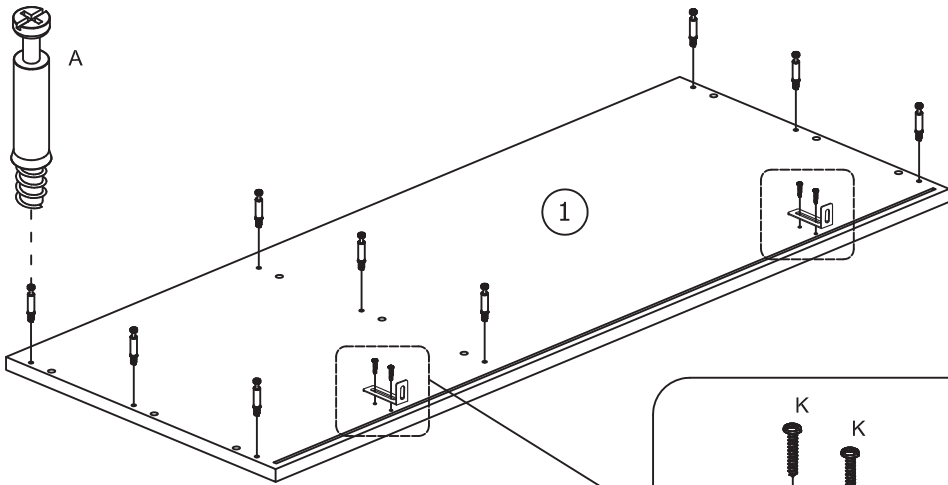





17

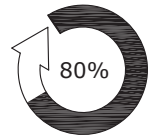
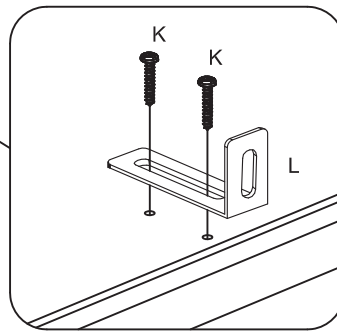


18

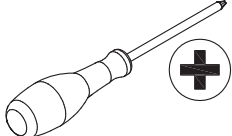
A x 9  Ø6x43 mm	K x 4  Ø3.5x16 mm	L x 2  75x25x15 mm	
--	--	---	---

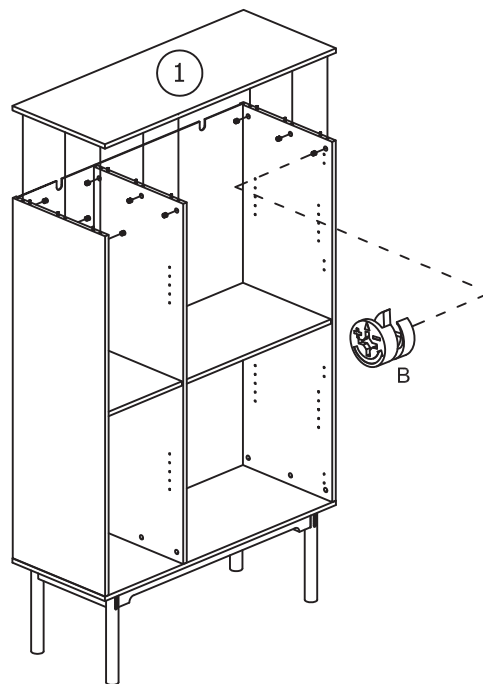


	K  Ø3.5 x 16 mm	N  Ø3.5 x 16 mm
--	---	---




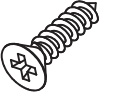
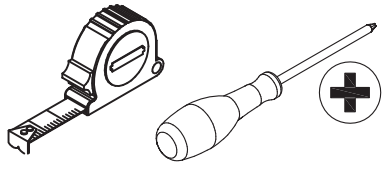



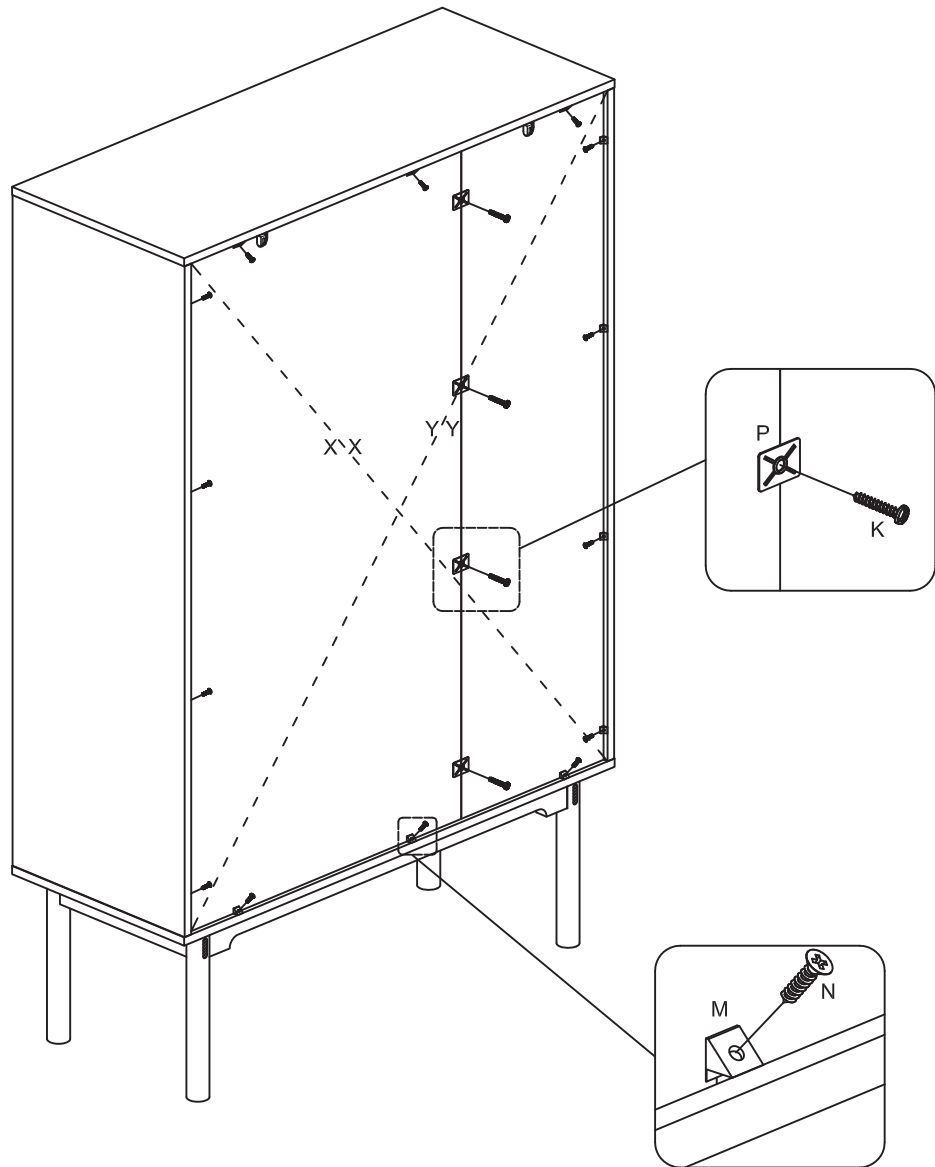
19

B x 9  Ø15x12 mm	
---	---



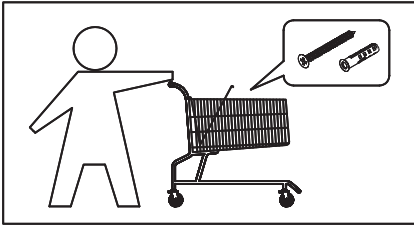
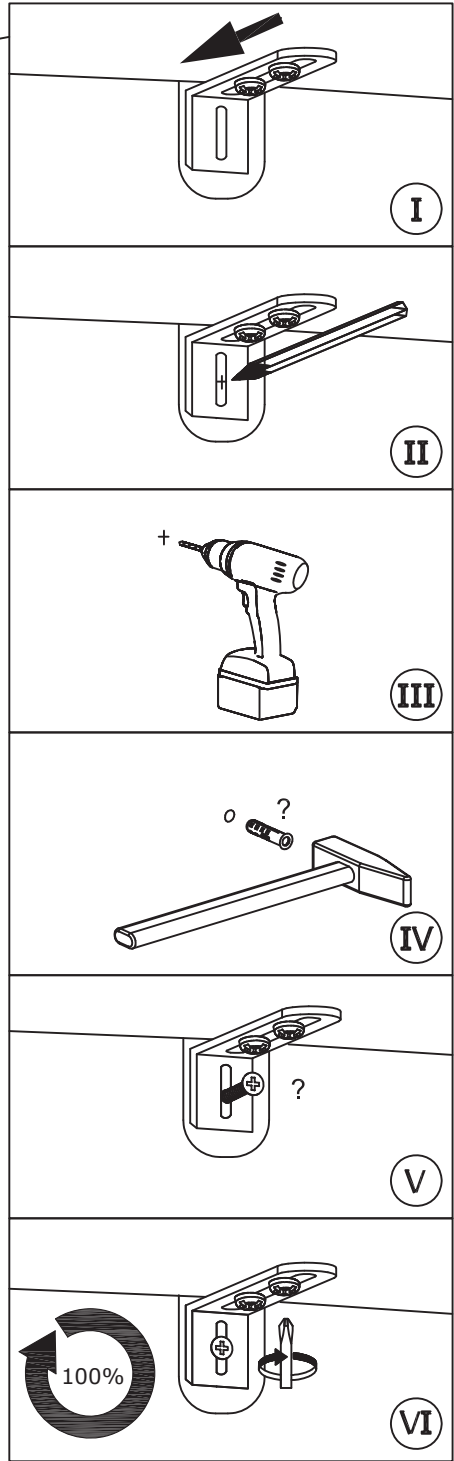
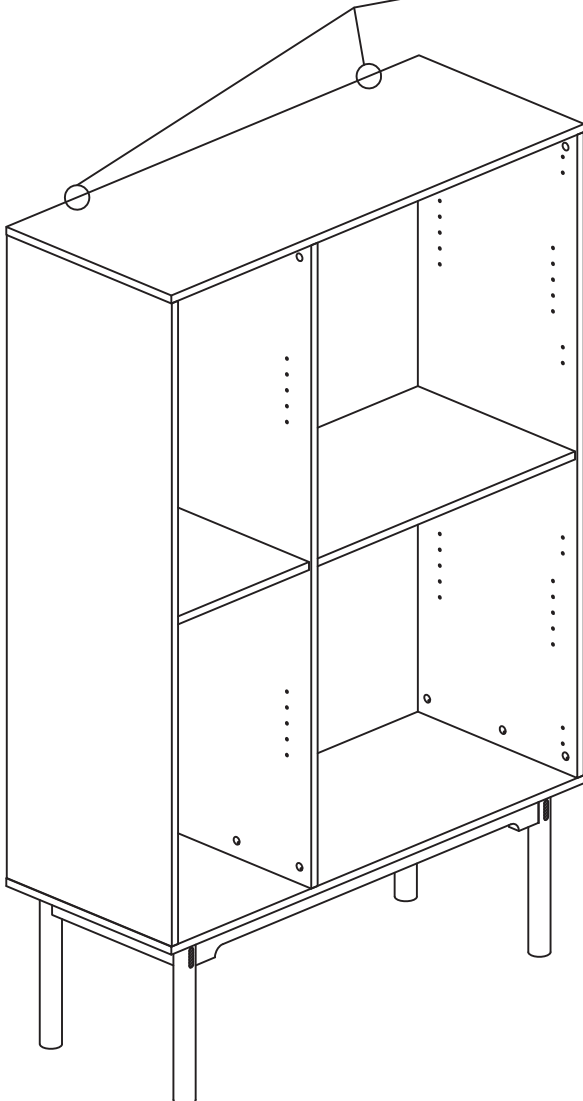
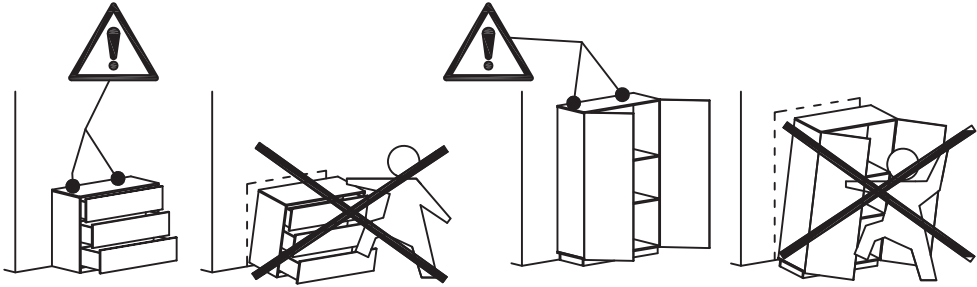
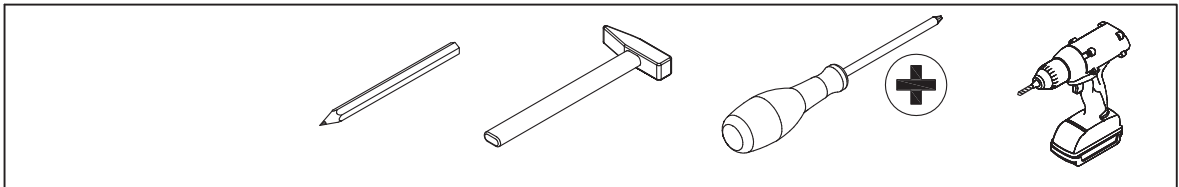
20

<p>K x 4</p>  <p>Ø3.5x16 mm</p>	<p>P x 4</p>  <p>19x14 mm</p>	<p>M x 14</p>  <p>14x14 mm</p>	<p>N x 14</p>  <p>Ø3.5x16 mm</p>	 
--	--	---	--	---



$XX=YY=90^\circ$

21

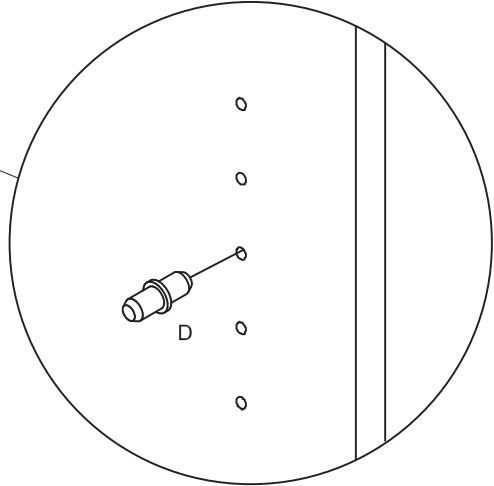
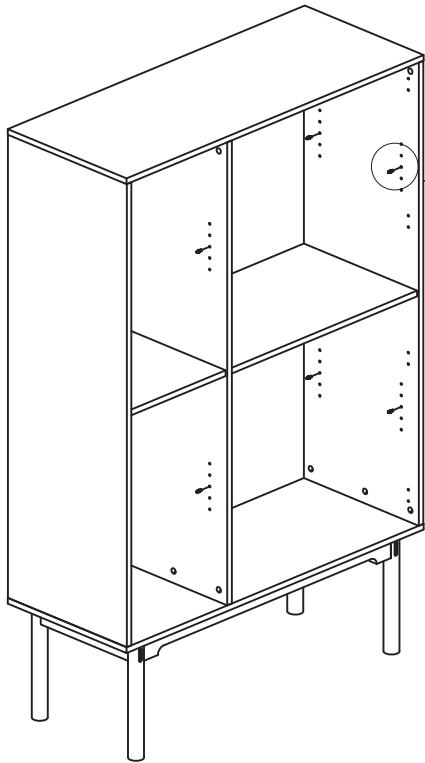
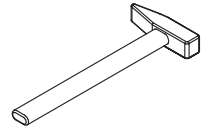


22

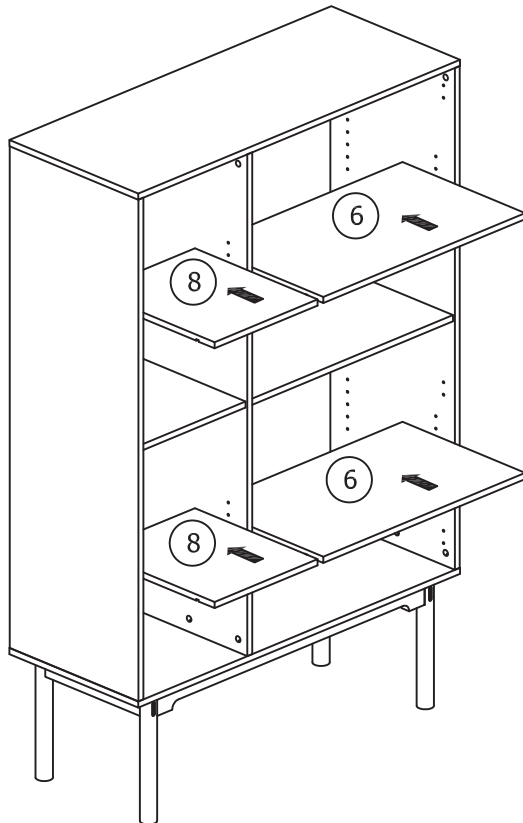
D x 16



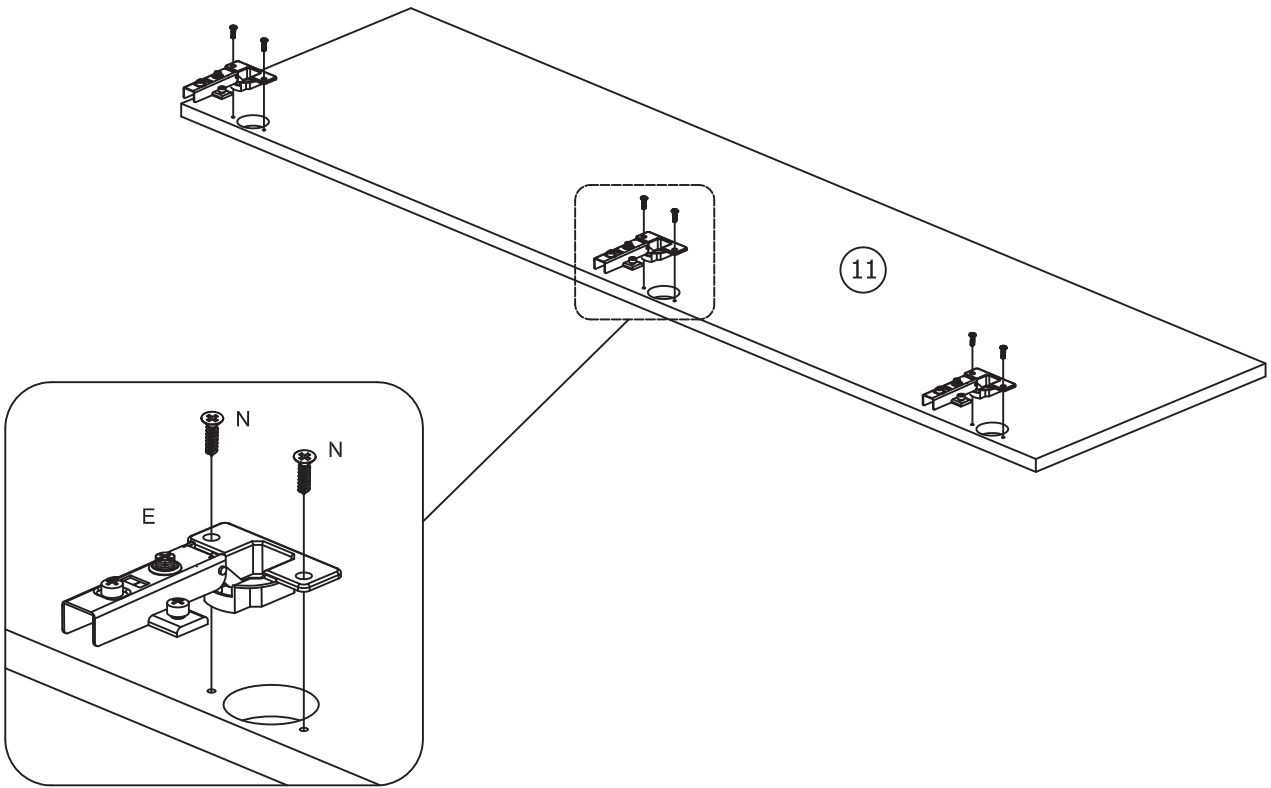
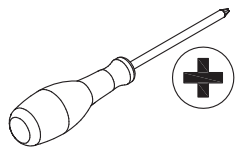
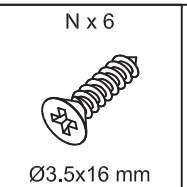
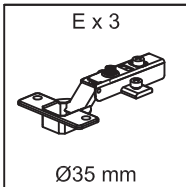
Ø5x16 mm



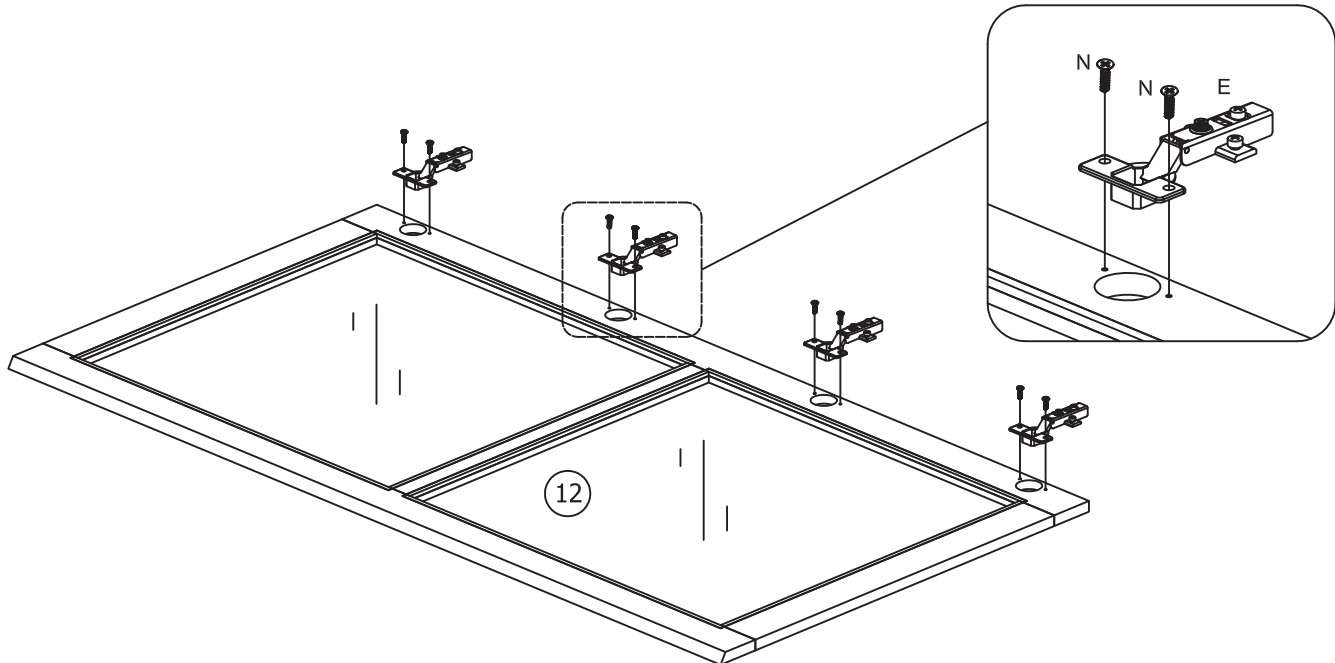
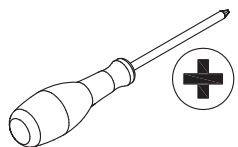
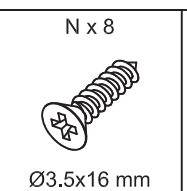
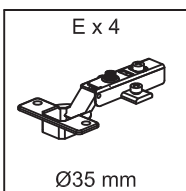
23



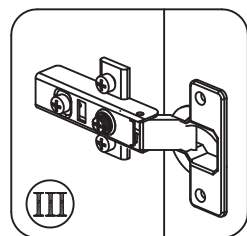
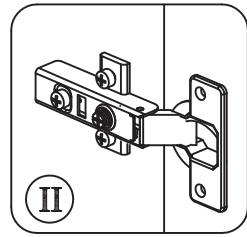
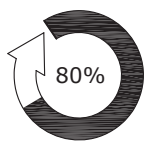
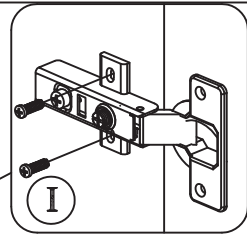
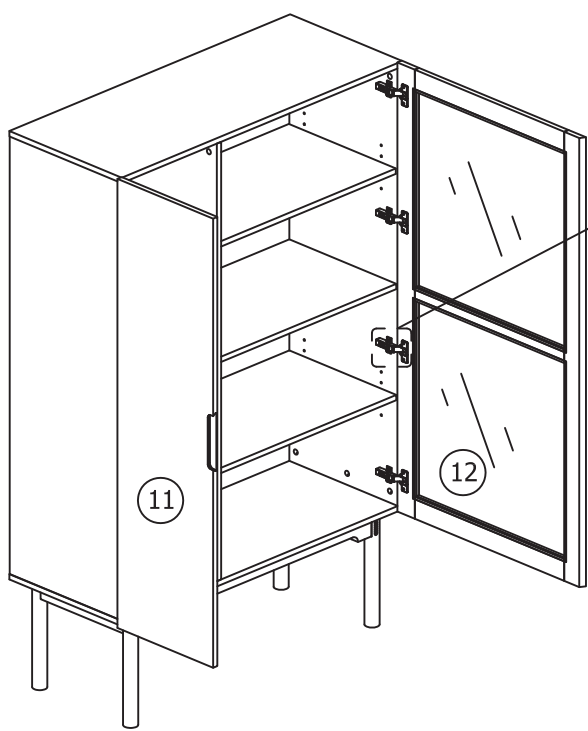
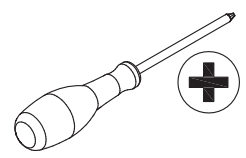
24



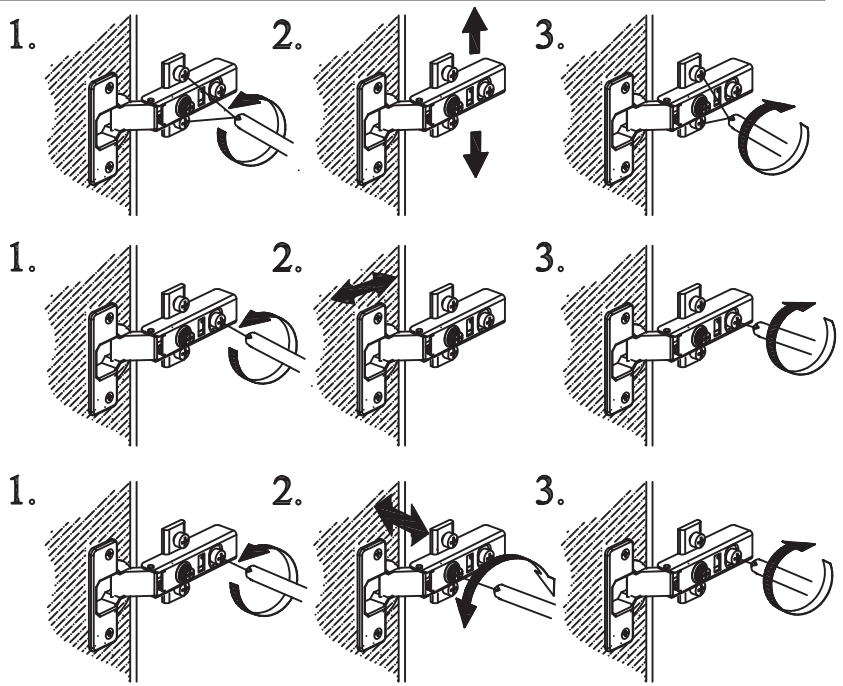
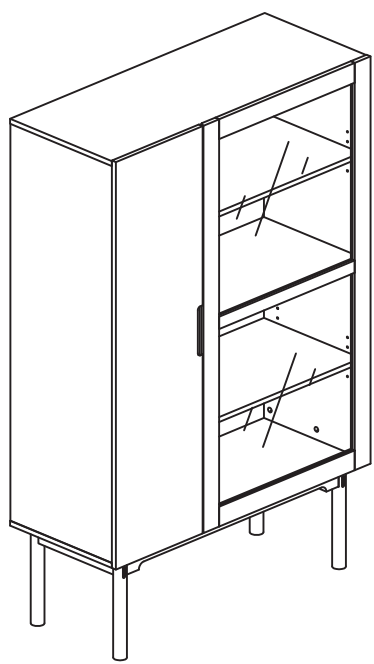
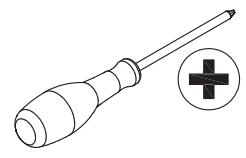
25



26



27



28

